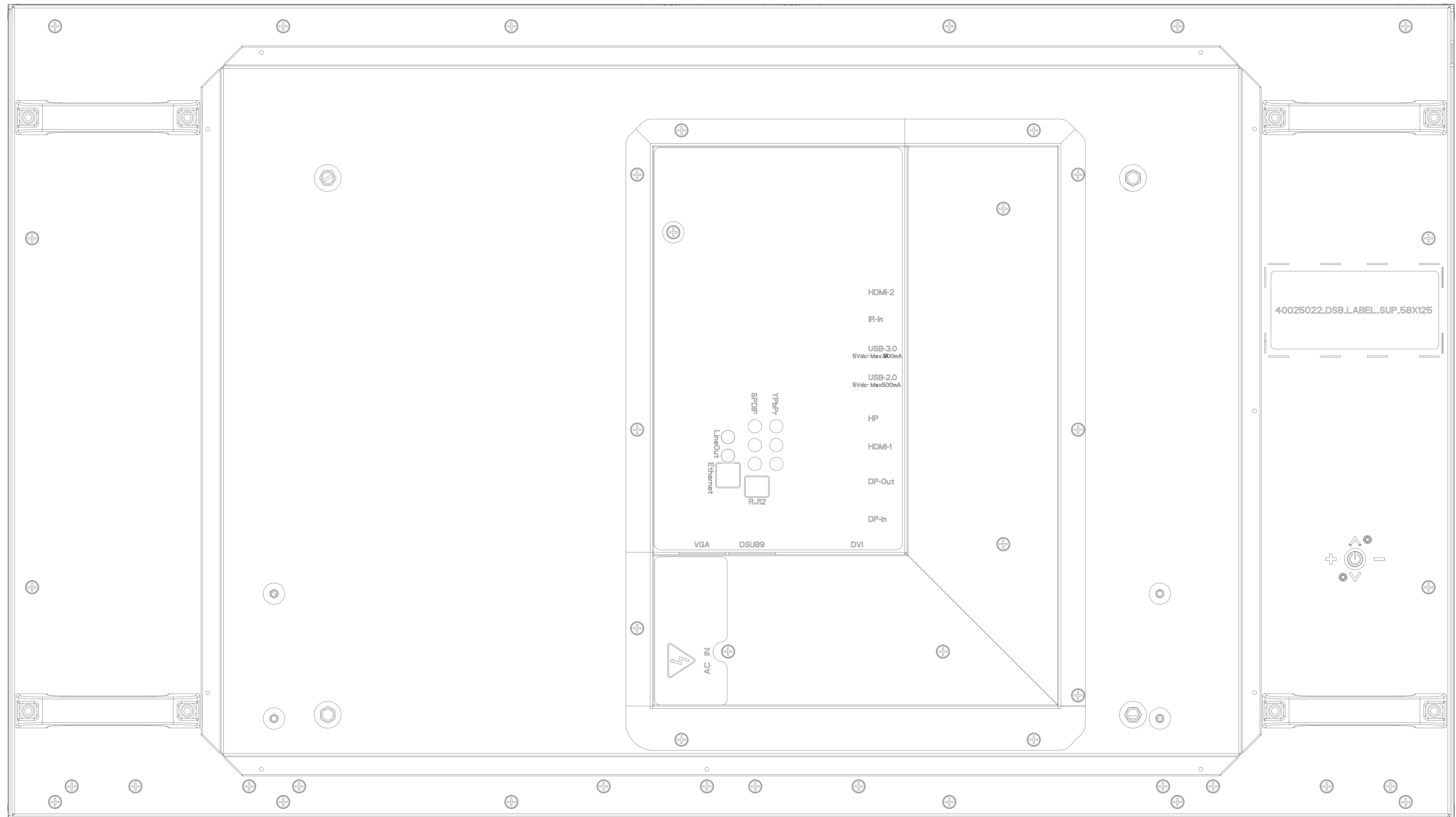


VIDEO WALL INSTALLATION GUIDE

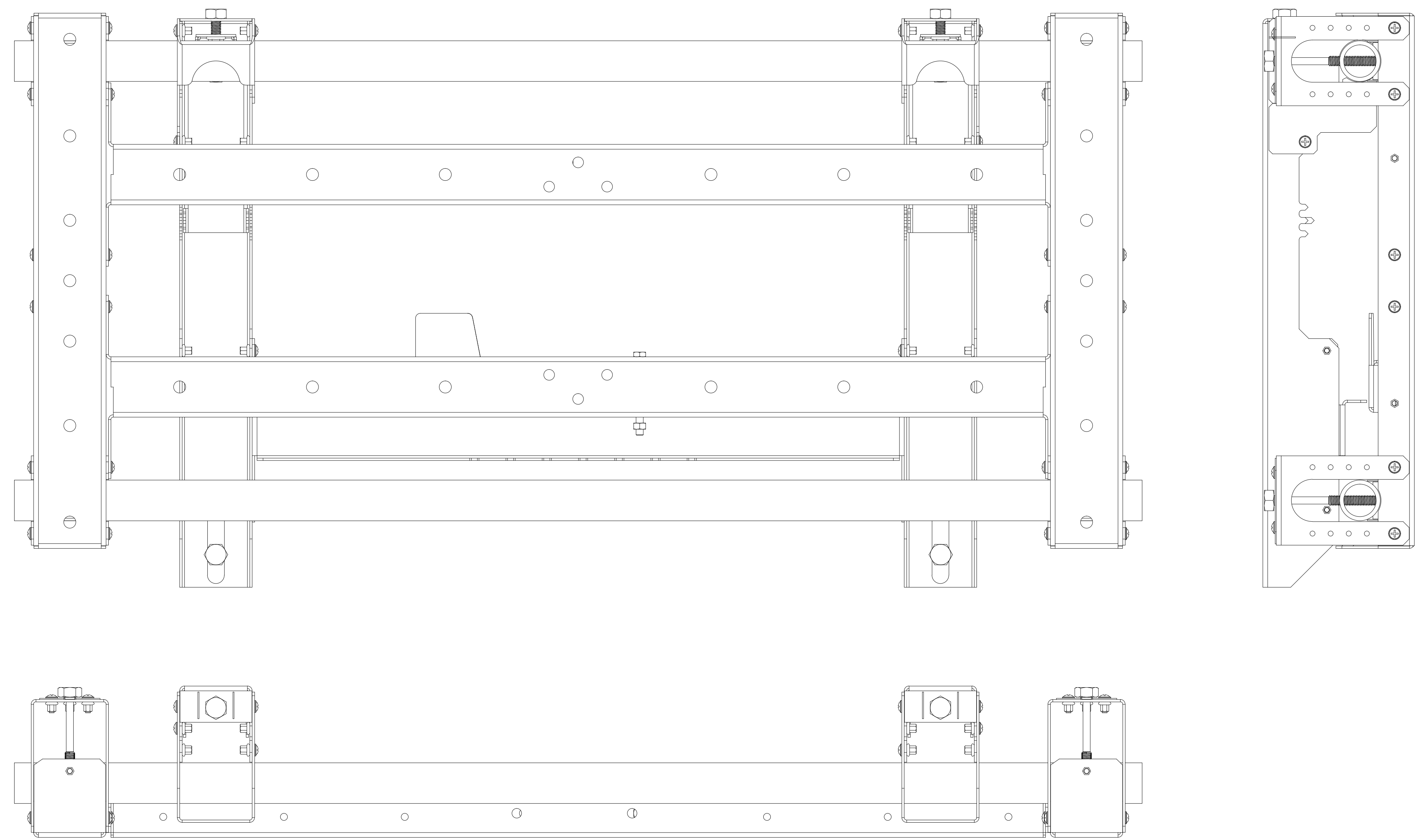
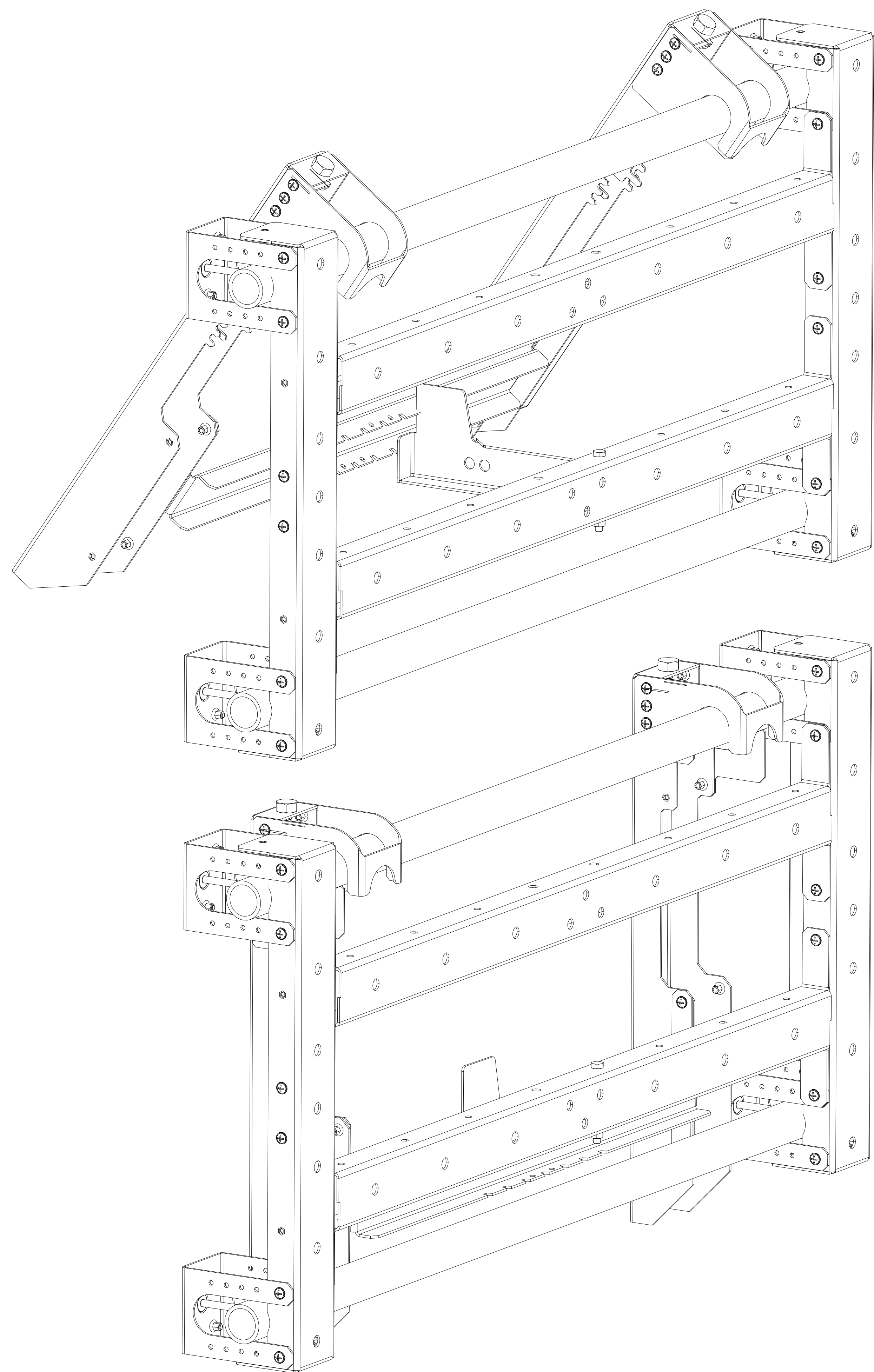
VIDEO WALL PACKAGE

1- VIDEO WALL PANEL



VIDEO WALL PACKAGE

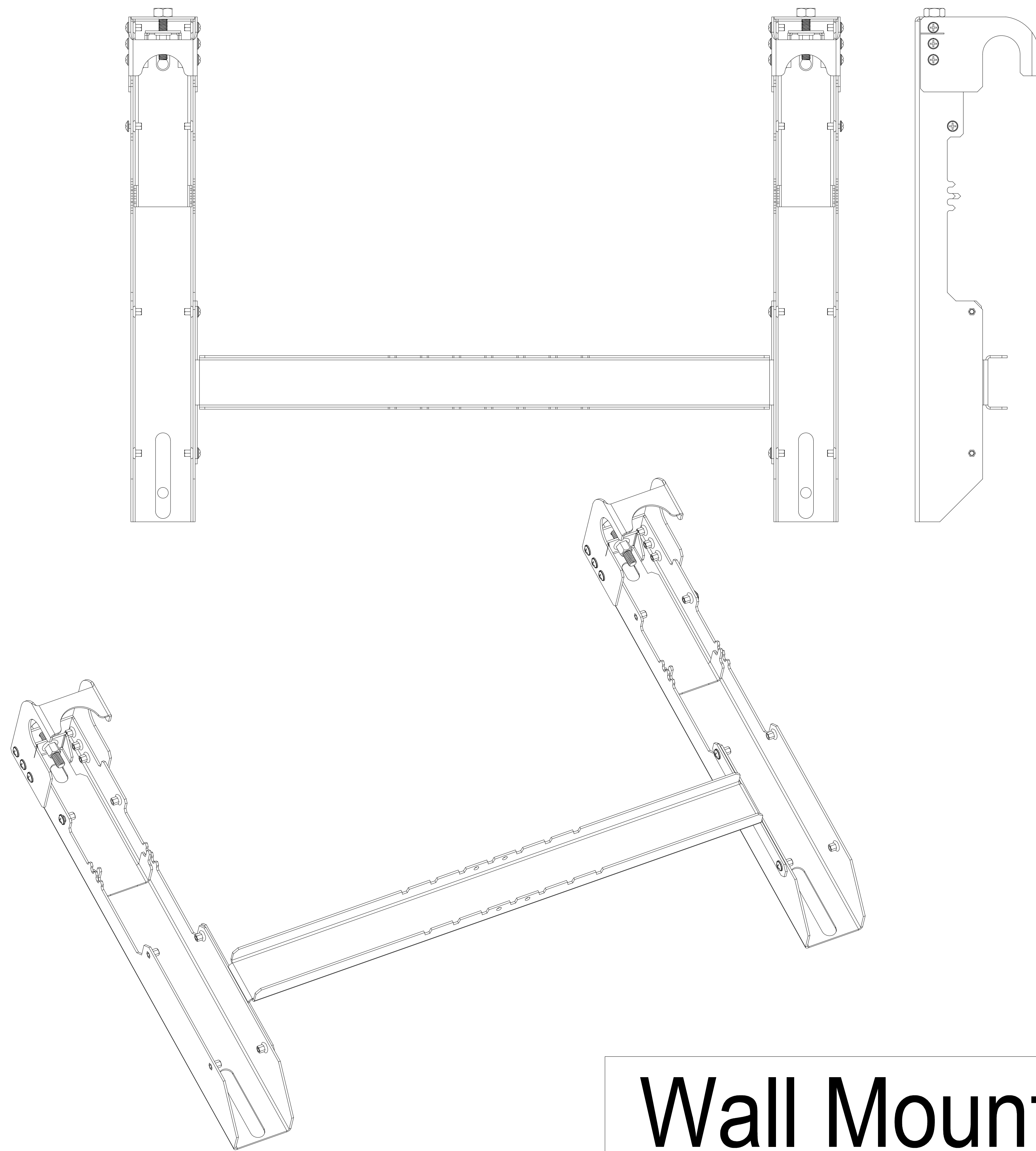
2- WALL MOUNTS



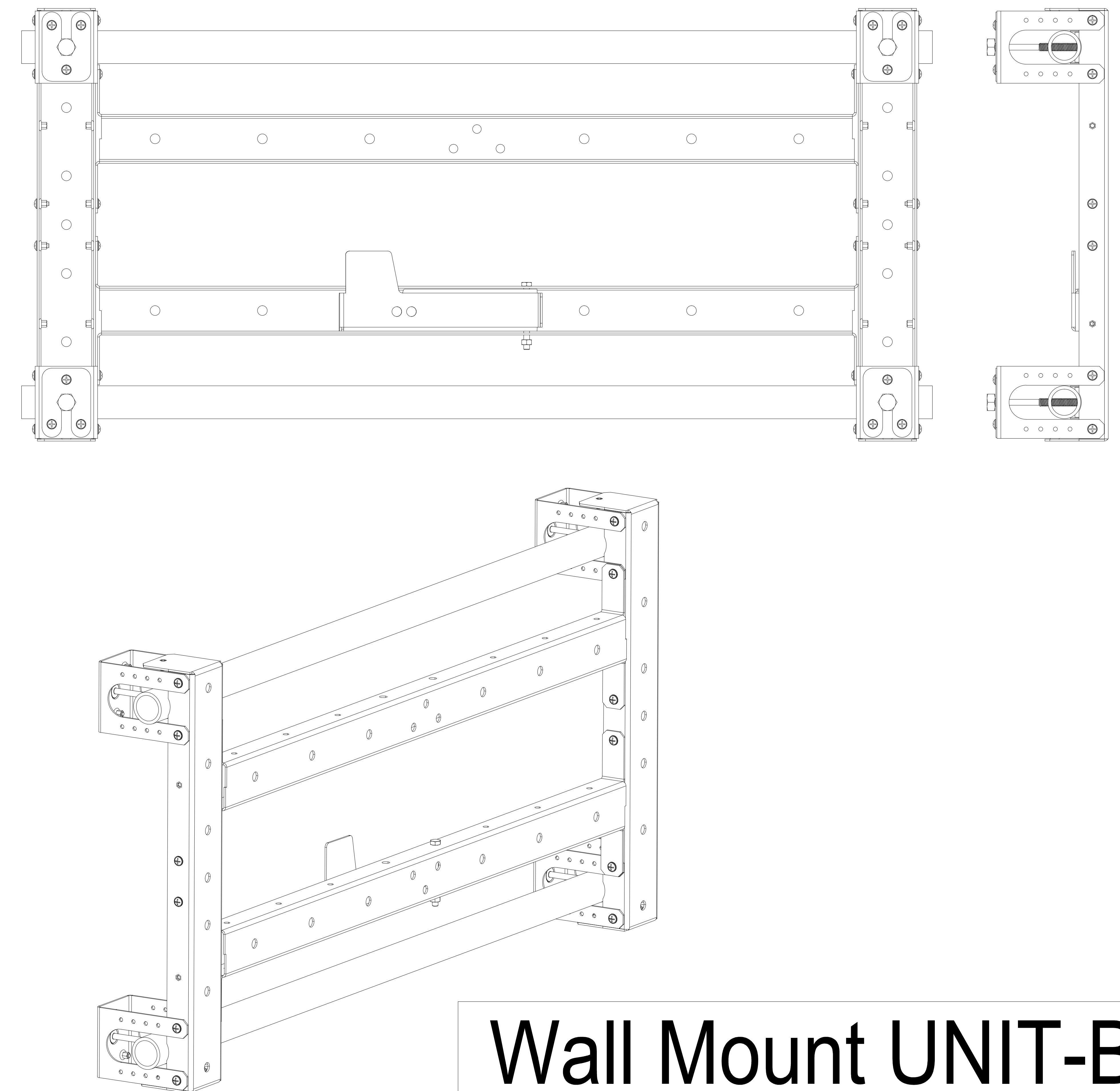
VIDEO WALL PACKAGE

2-.1 ==>UNIT A Will be installed to the back side of the video wall panels

2.2 ==>UNIT B Will be installed on to the wall or metal construction



Wall Mount UNIT-A

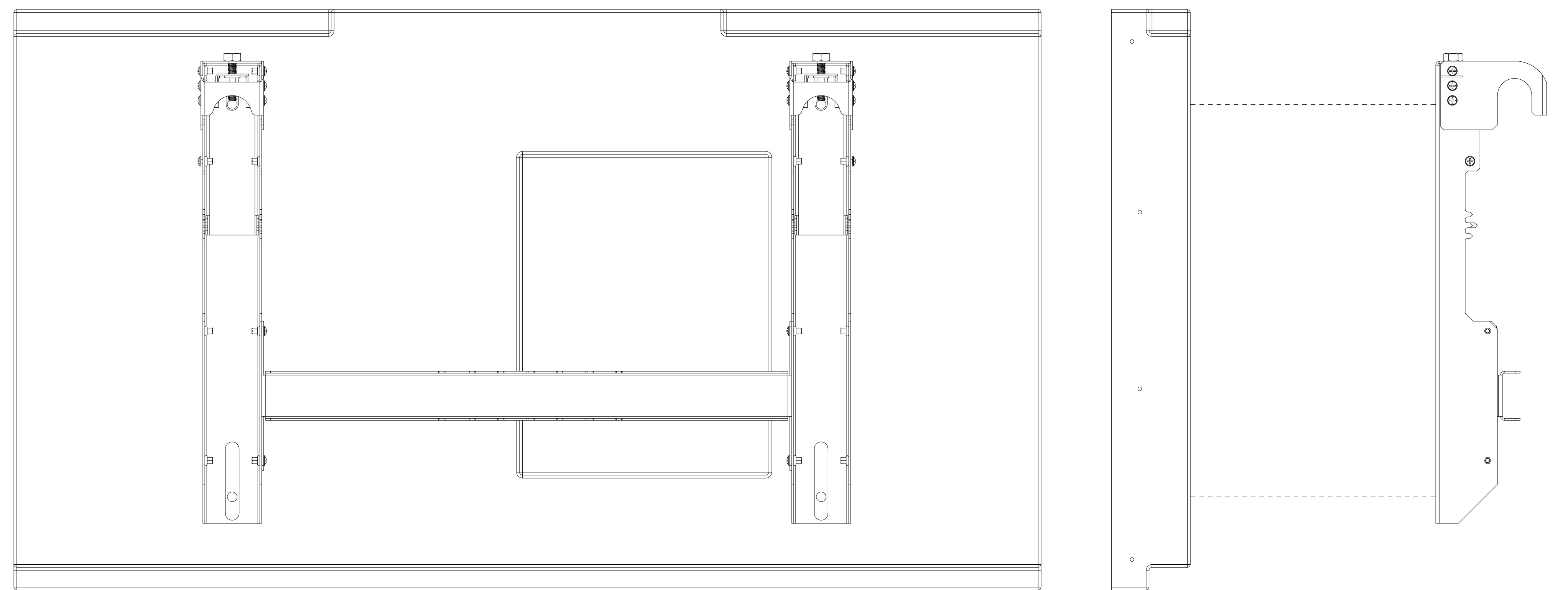
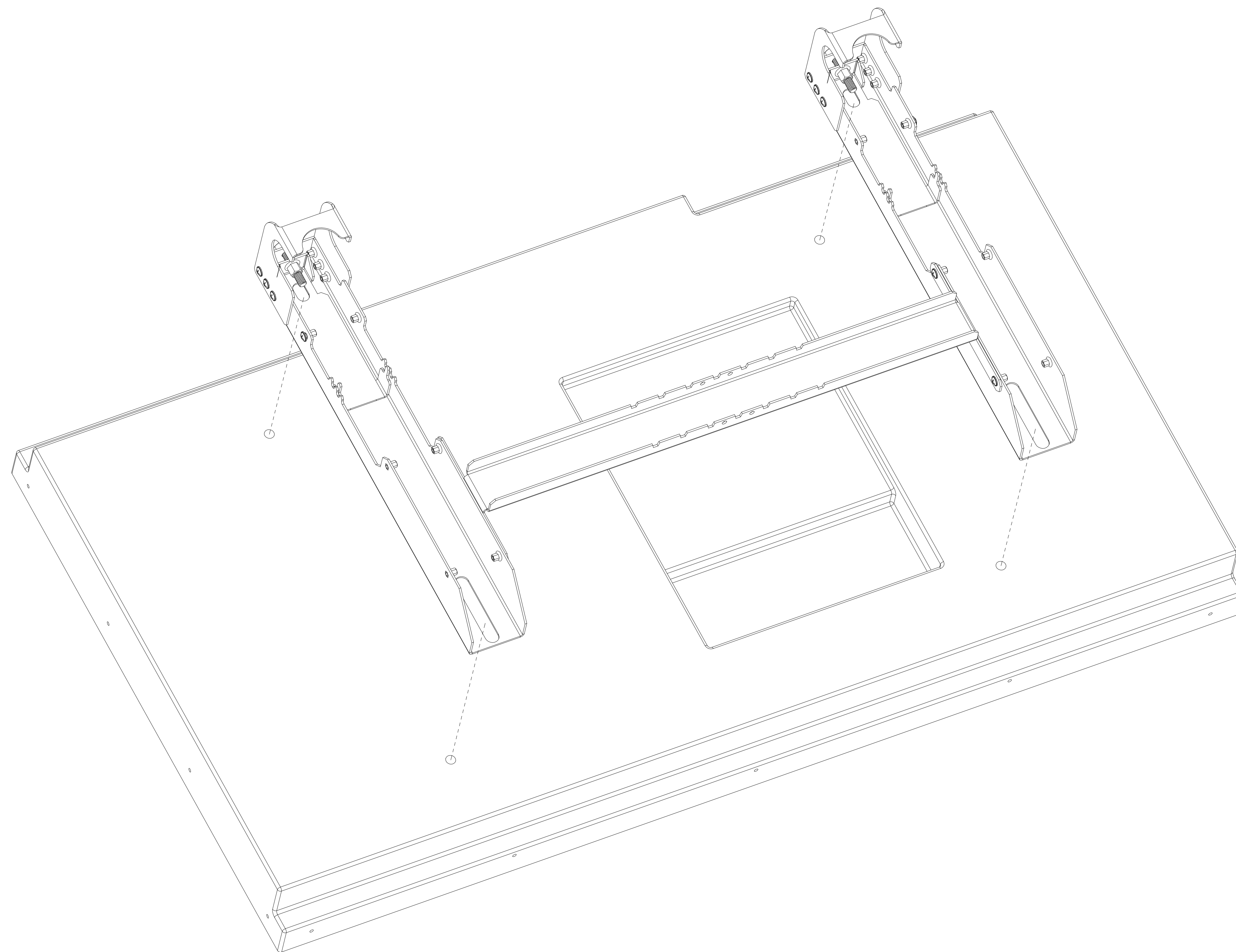


Wall Mount UNIT-B

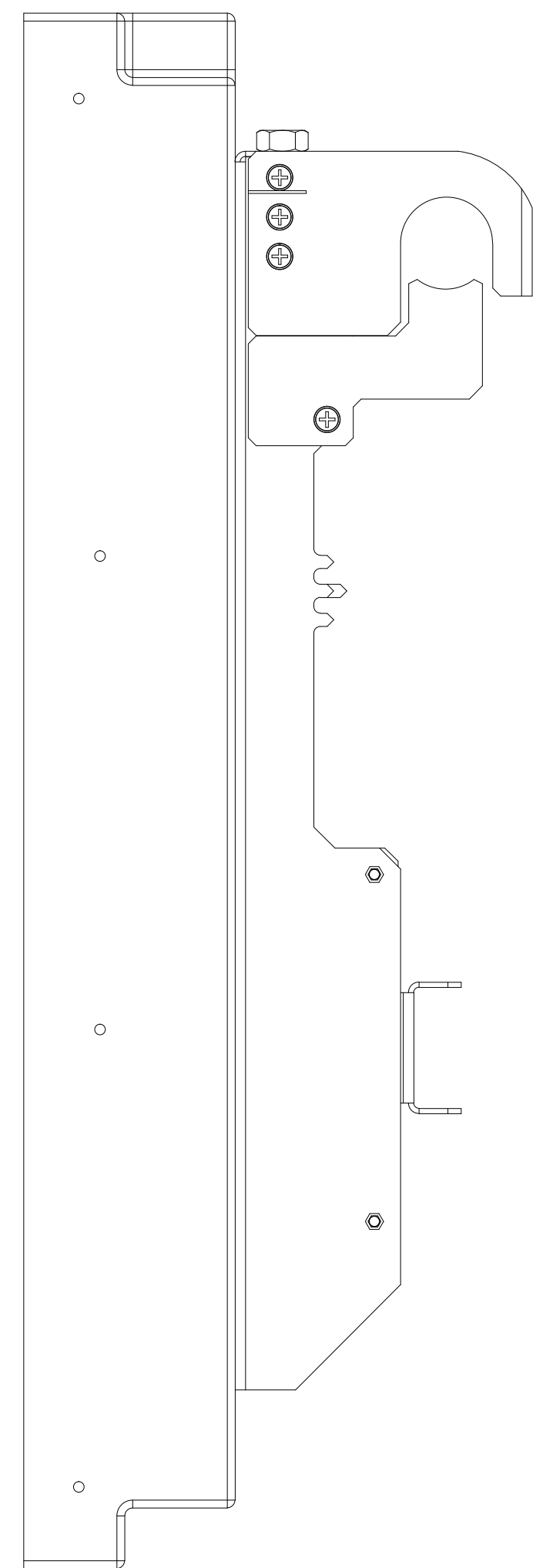
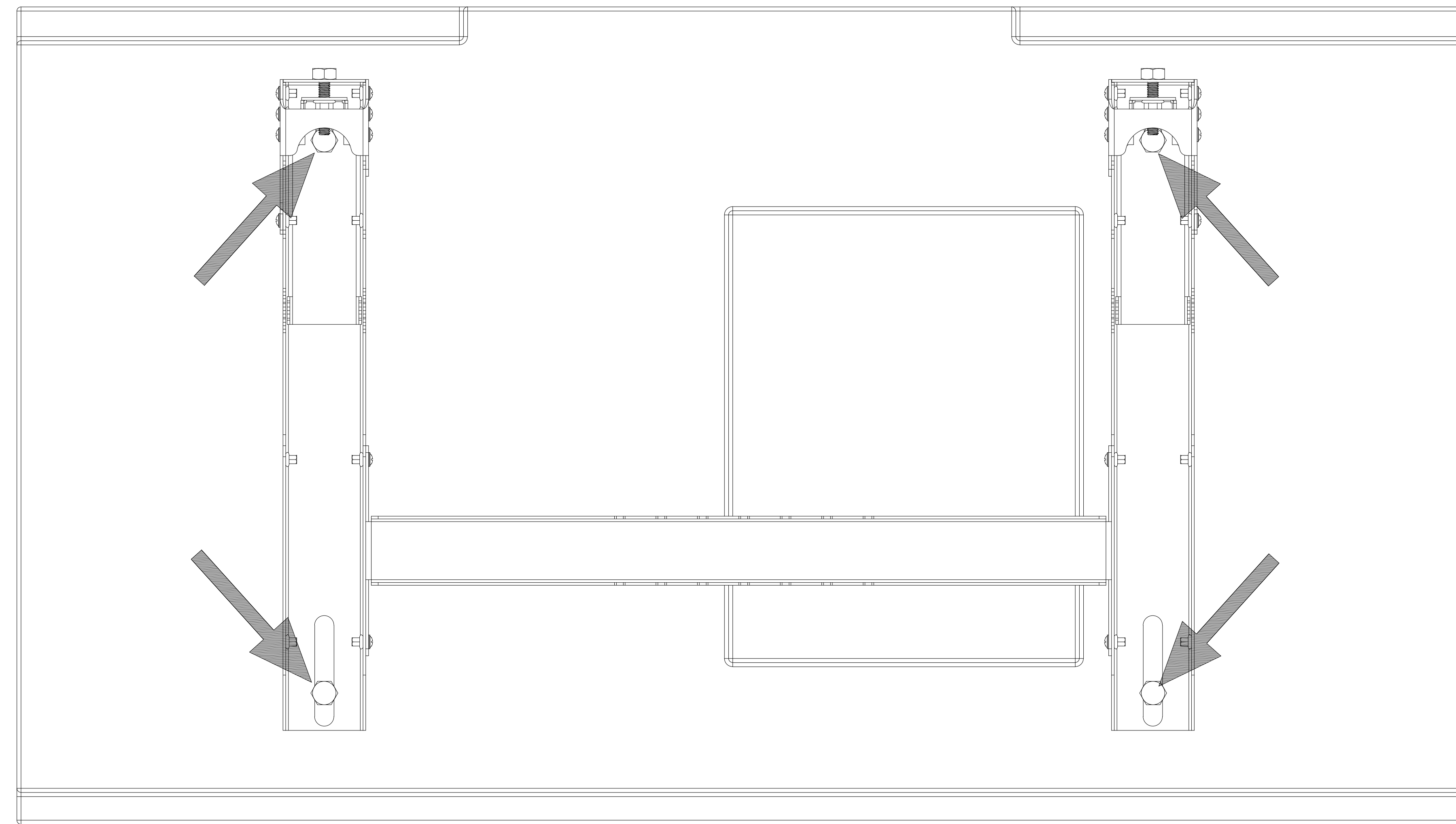
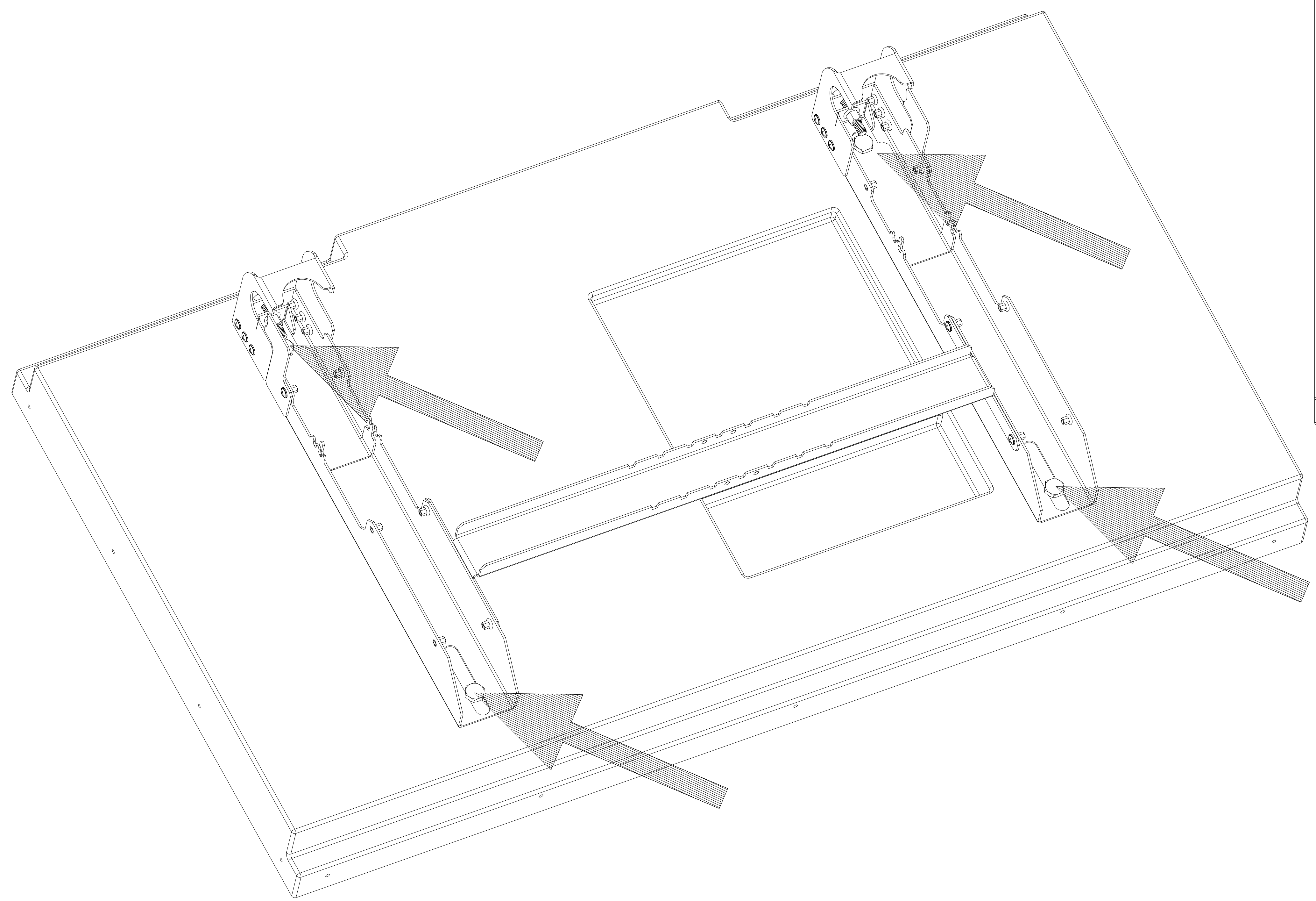
INSTALLATION of UNIT A and UNIT B

Mounting UNIT-A

Wall mount Unit A should be installed back side of the video wall panel with 4 M8 screws as shown in the figure below

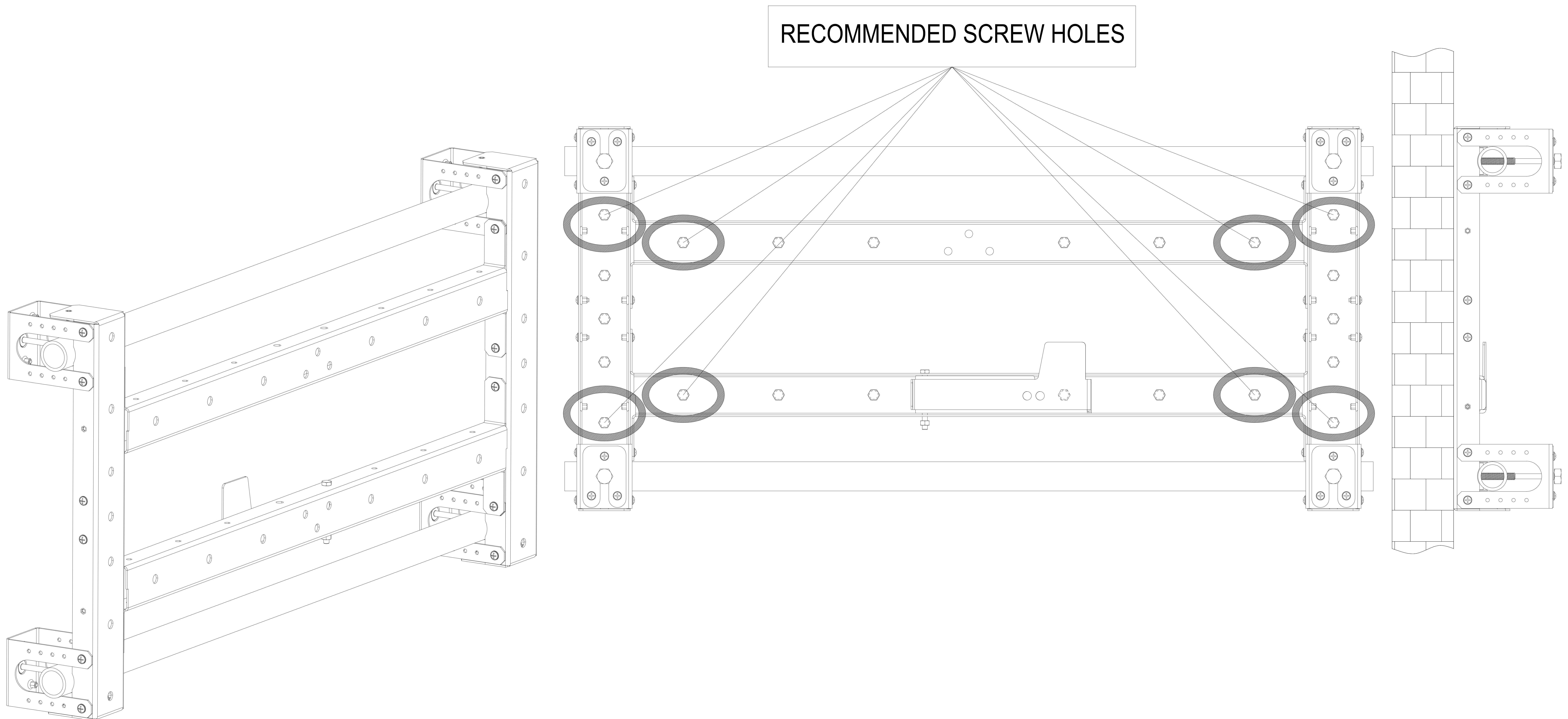


Mounting UNIT-A

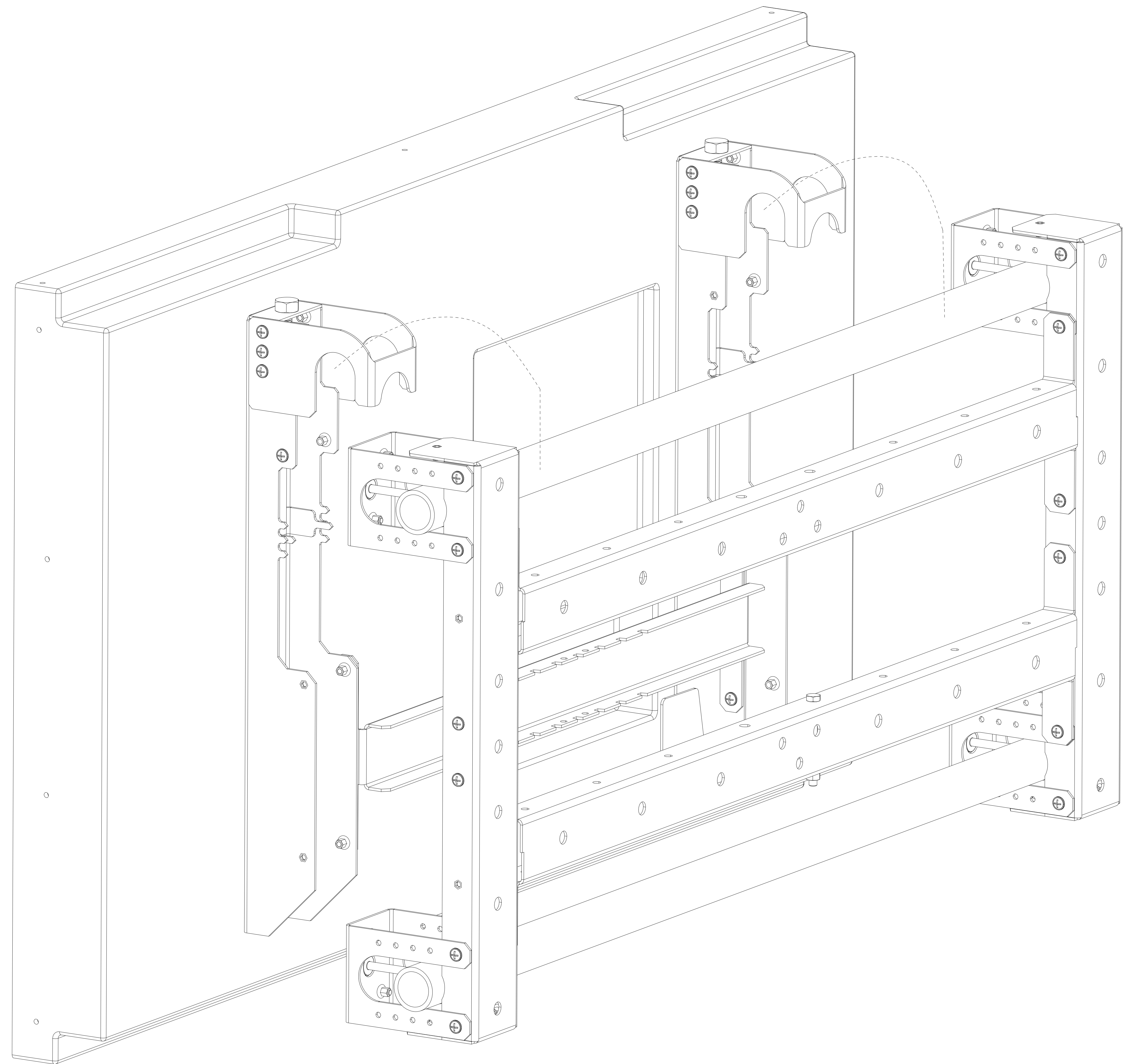
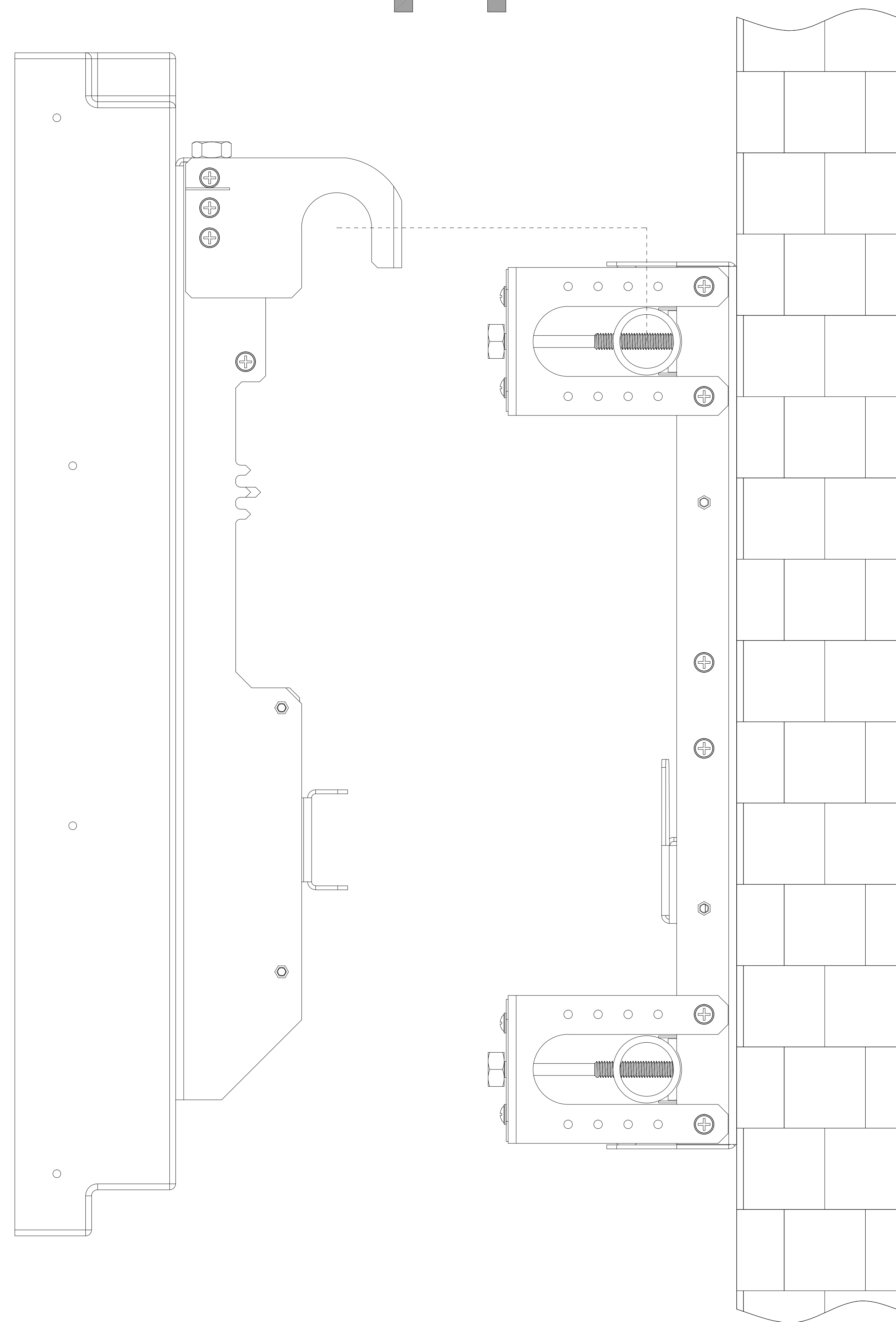
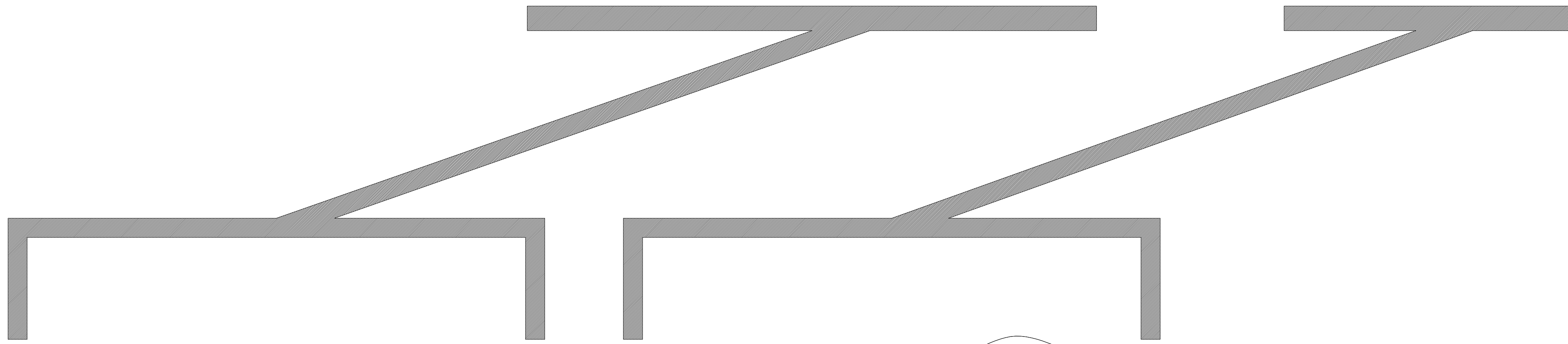


Mounting, Unit B

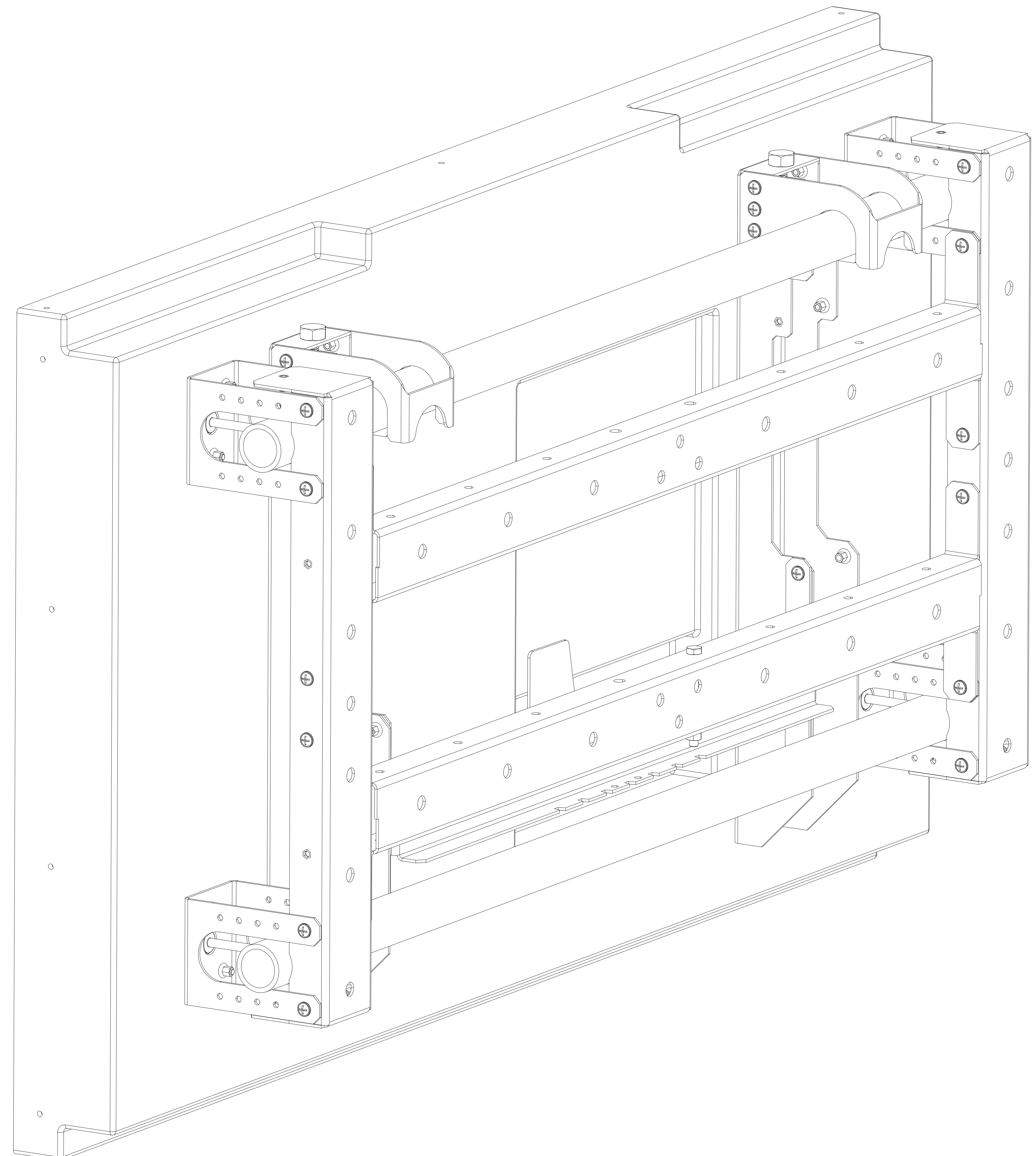
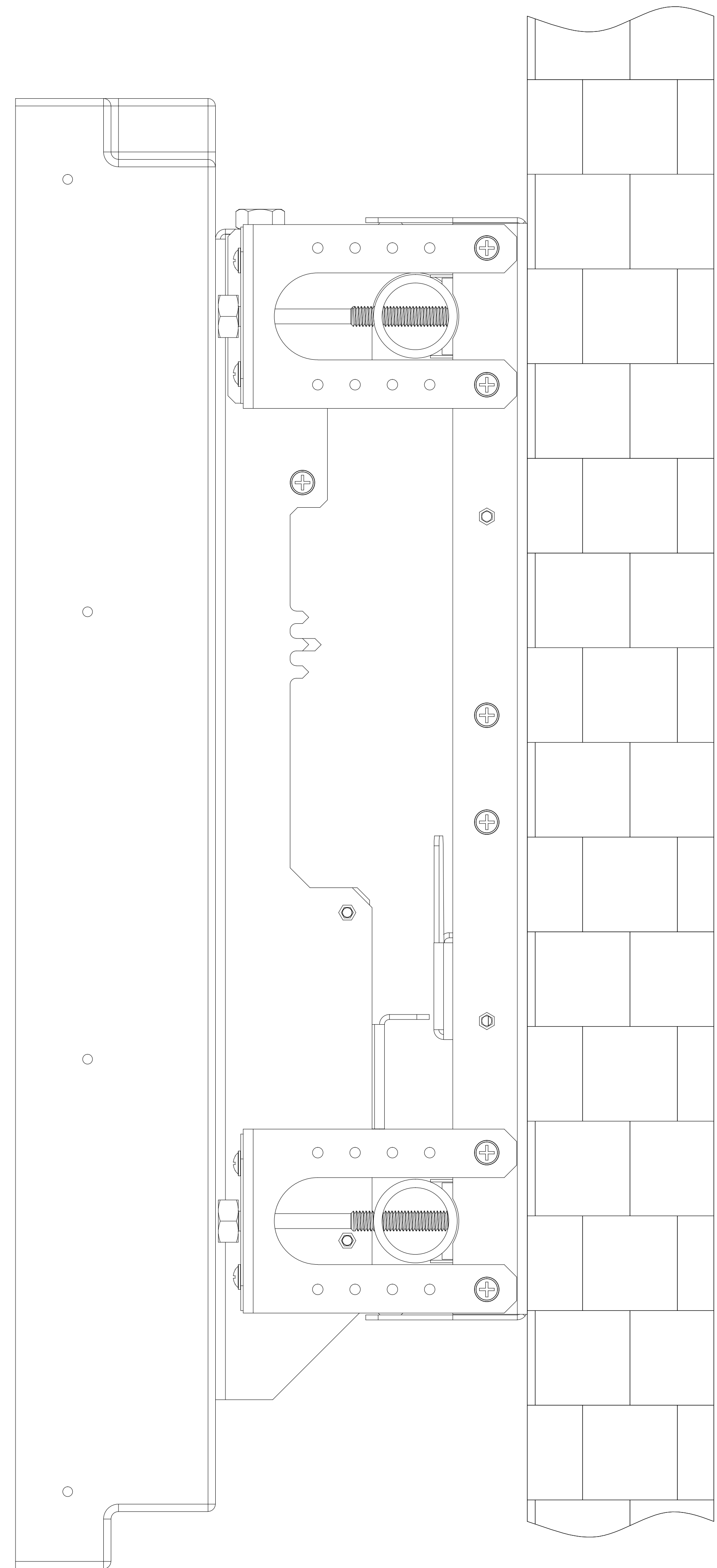
Unit - B should be mounted to on a wall or metal construction as shown in the figure below.



MOUNTING PANEL+UNIT-A TO UNIT-B



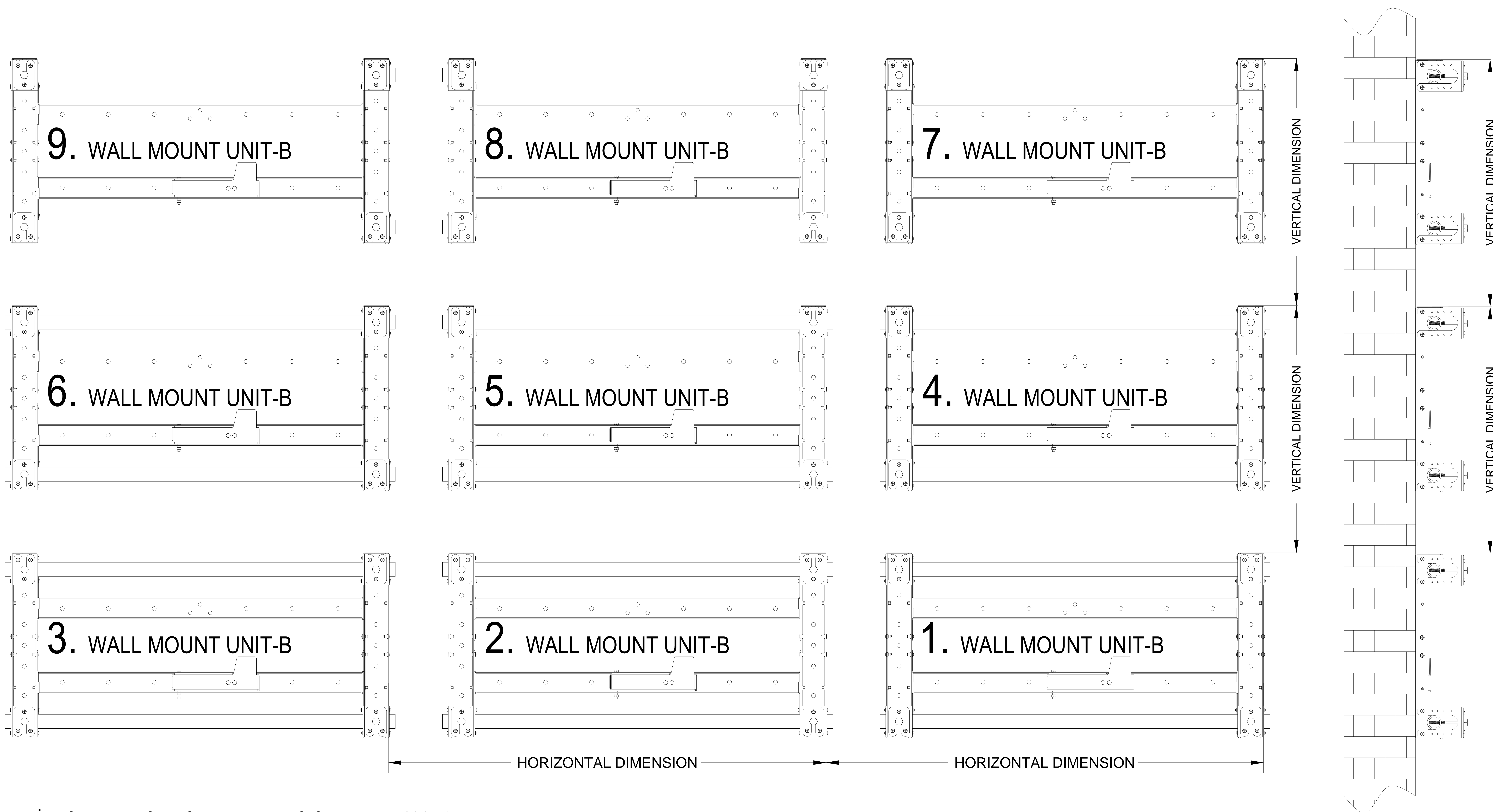
PANEL+ Unit A + Unit B



VIDEO WALL SAMPLE INSTALLATION (3X3)

SAMPLE INSTALLATION (3X3)

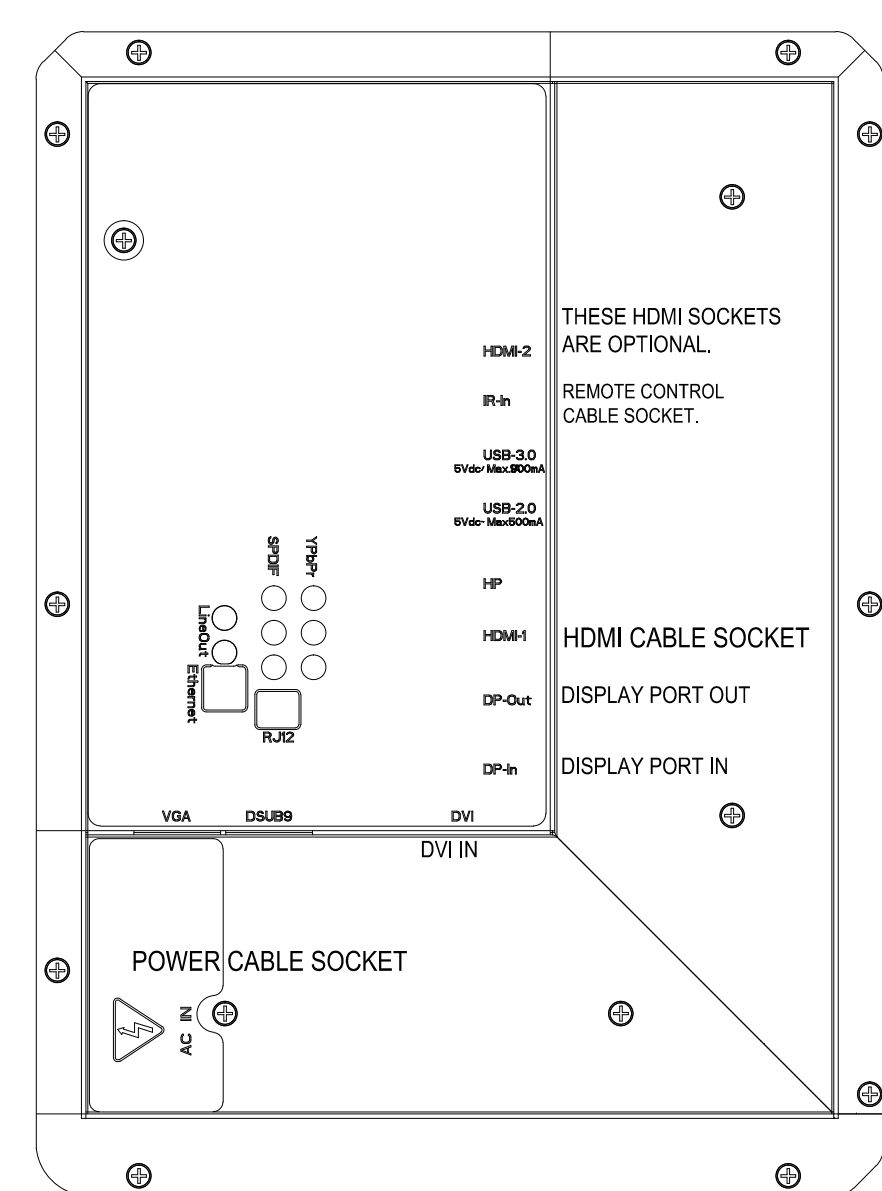
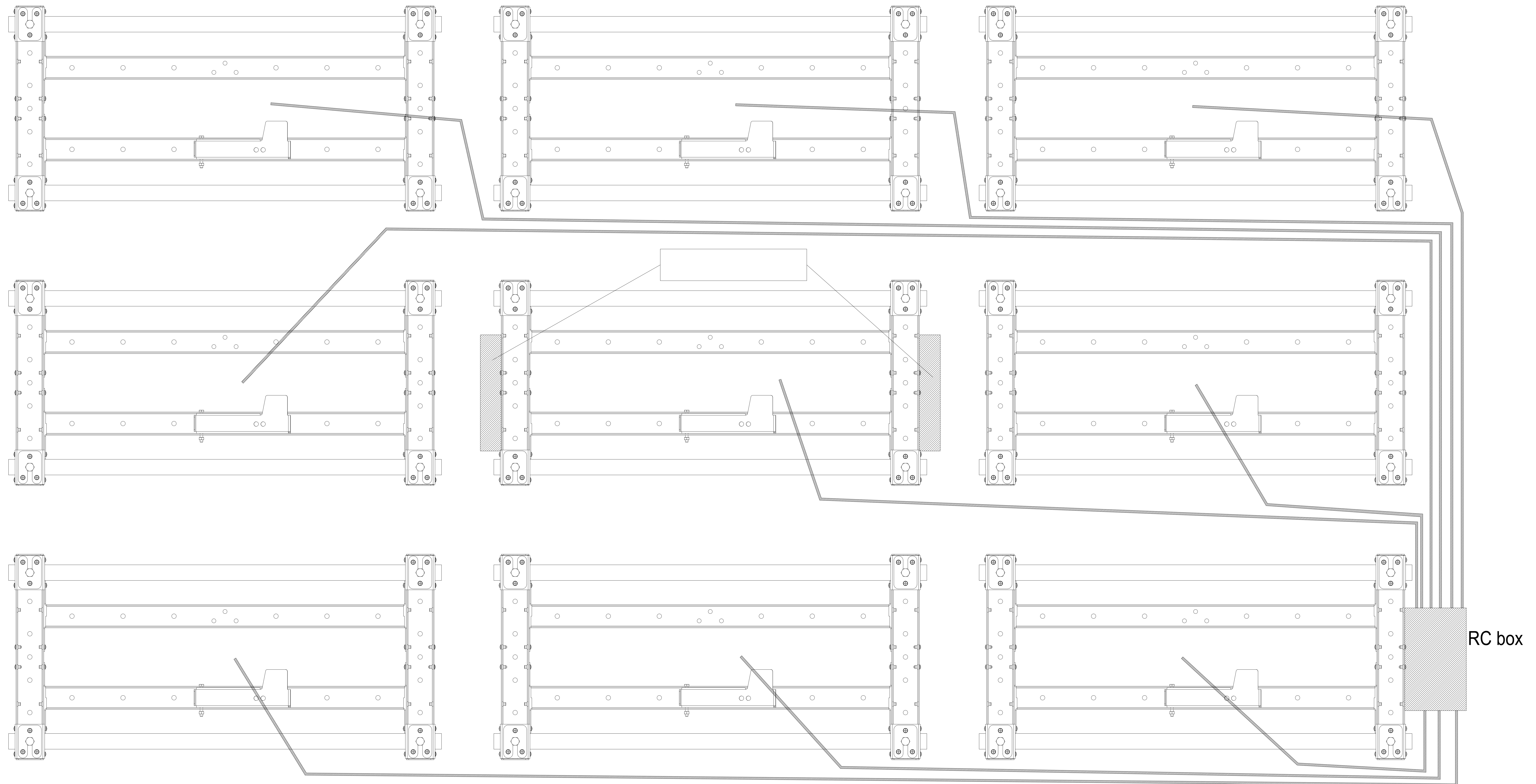
STEP 1-ALL WALL MOUNT UNITS SHOULD BE MOUNTED ON WALL OR METAL CONSTRUCTION AS SHOWN IN FIGURE BELOW



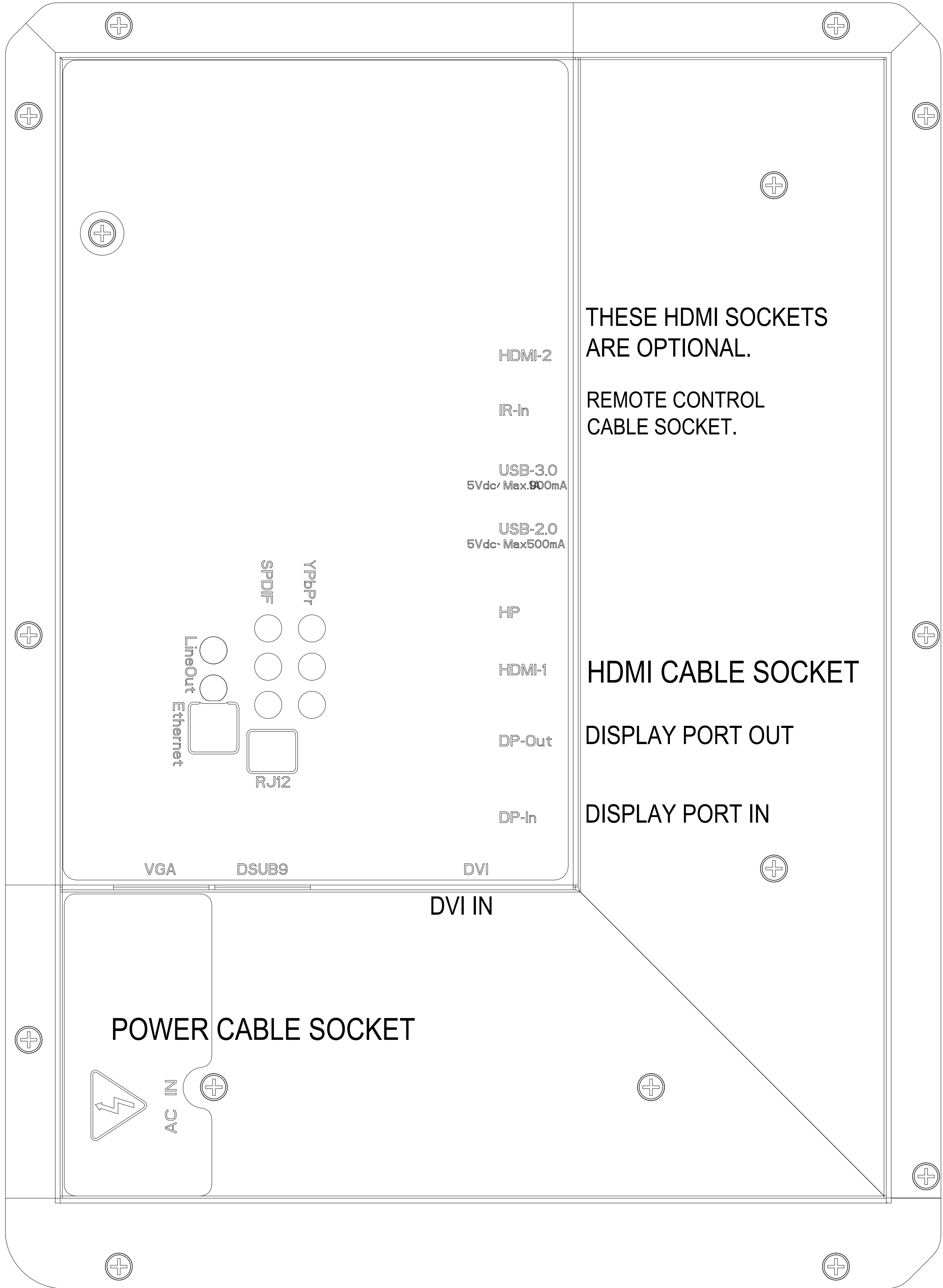
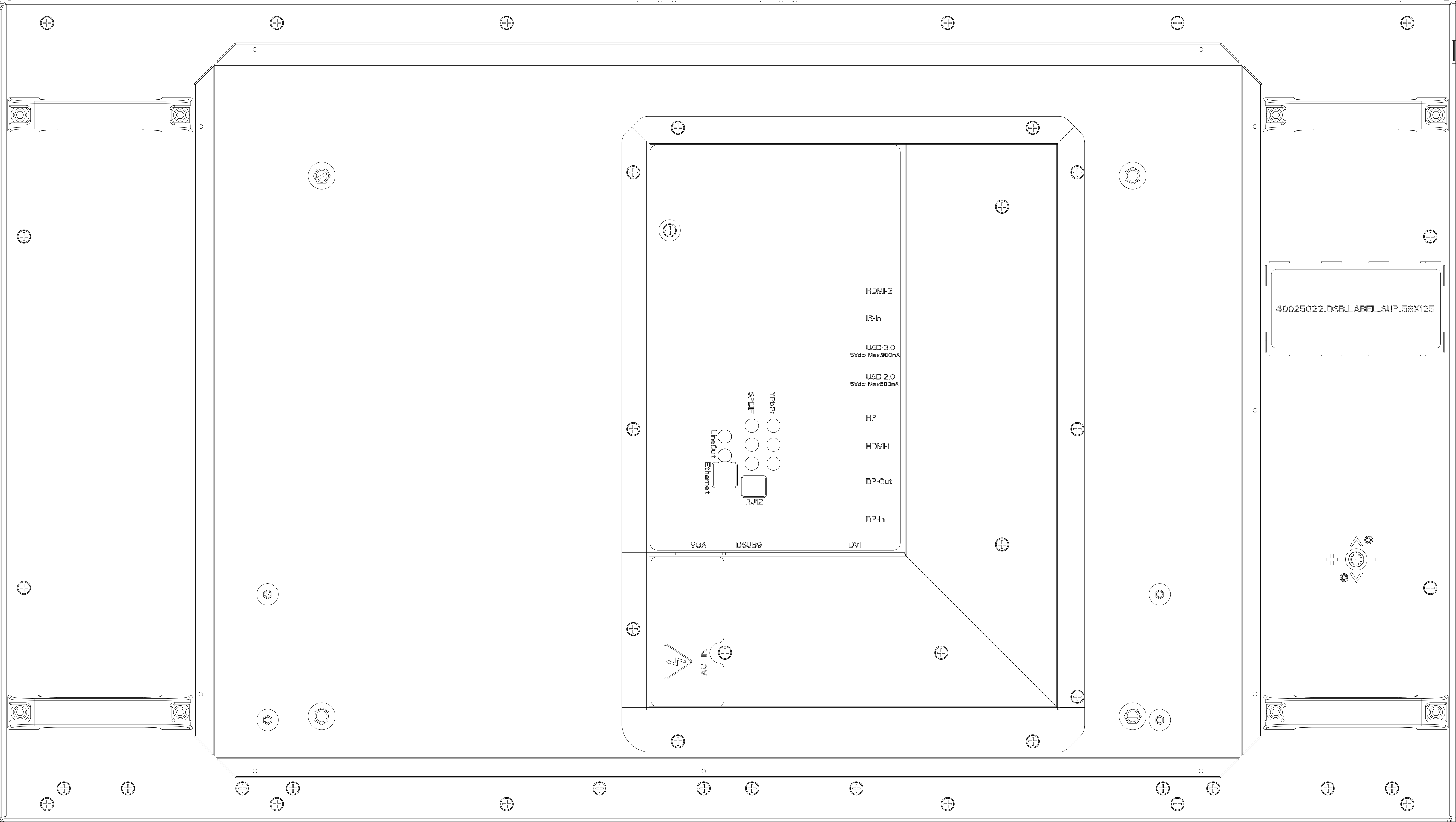
55" VIDEO WALL HORIZONTAL DIMENSION	= 1215.3 mm
55" VIDEO WALL VERTICAL DIMENSION	= 686.5 mm
47" VIDEO WALL HORIZONTAL DIMENSION	= 1046.8 mm
47" VIDEO WALL VERTICAL DIMENSION	= 591.6 mm
46" VIDEO WALL HORIZONTAL DIMENSION	= 1025.65 mm
46" VIDEO WALL VERTICAL DIMENSION	= 579.844 mm

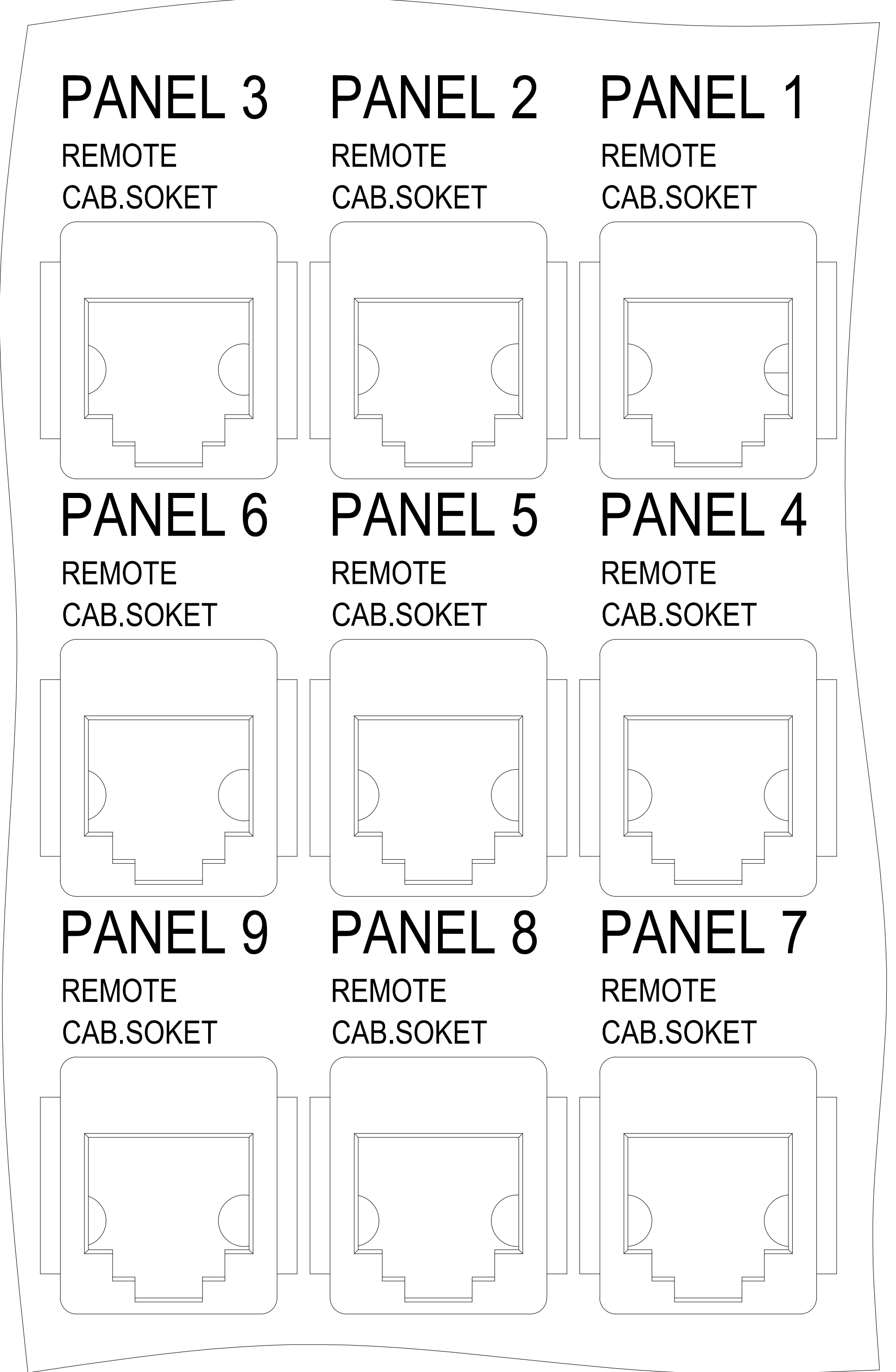
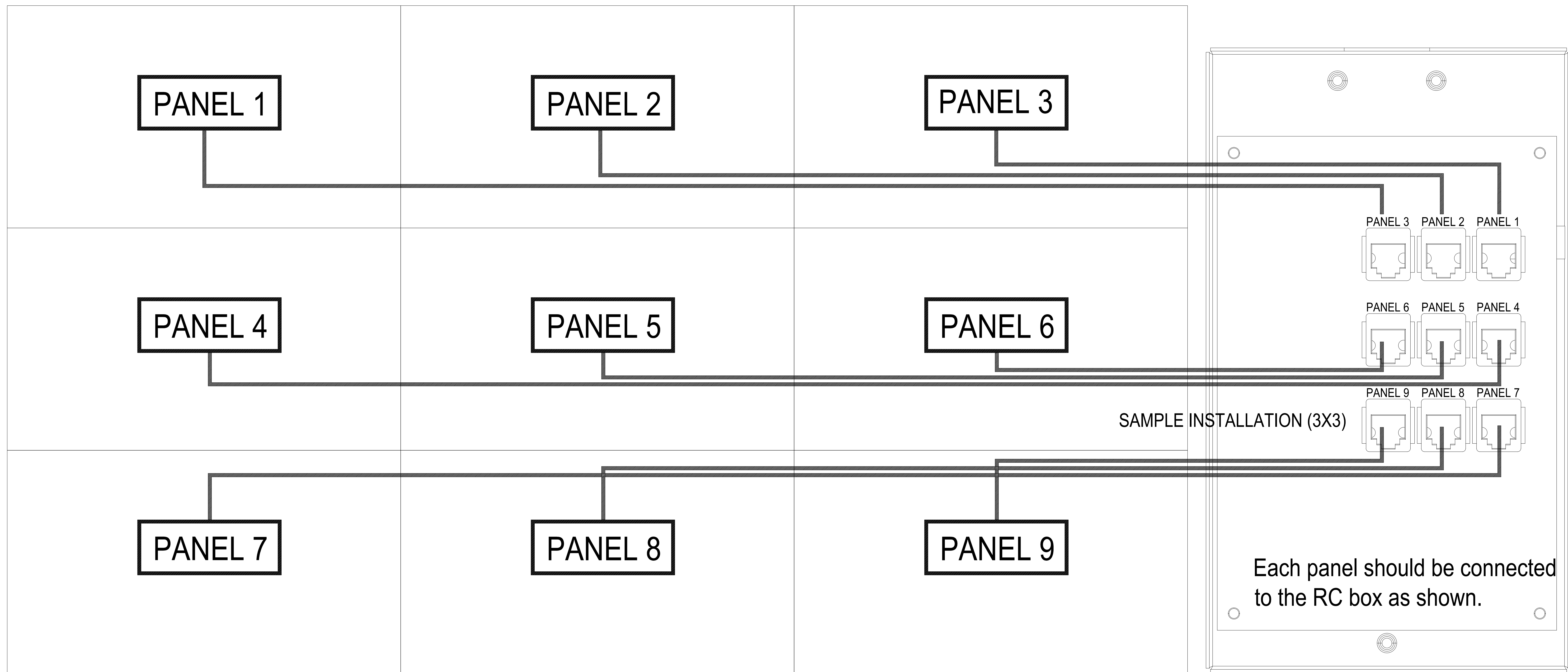
STEP 2- PLACE AND FIX THE HDMI , REMOTE CONTROLLER AND POWER CABLES

DETAILED CABLE INSTALLATION IS EXPLAINED IN THE NEXT TWO PAGES

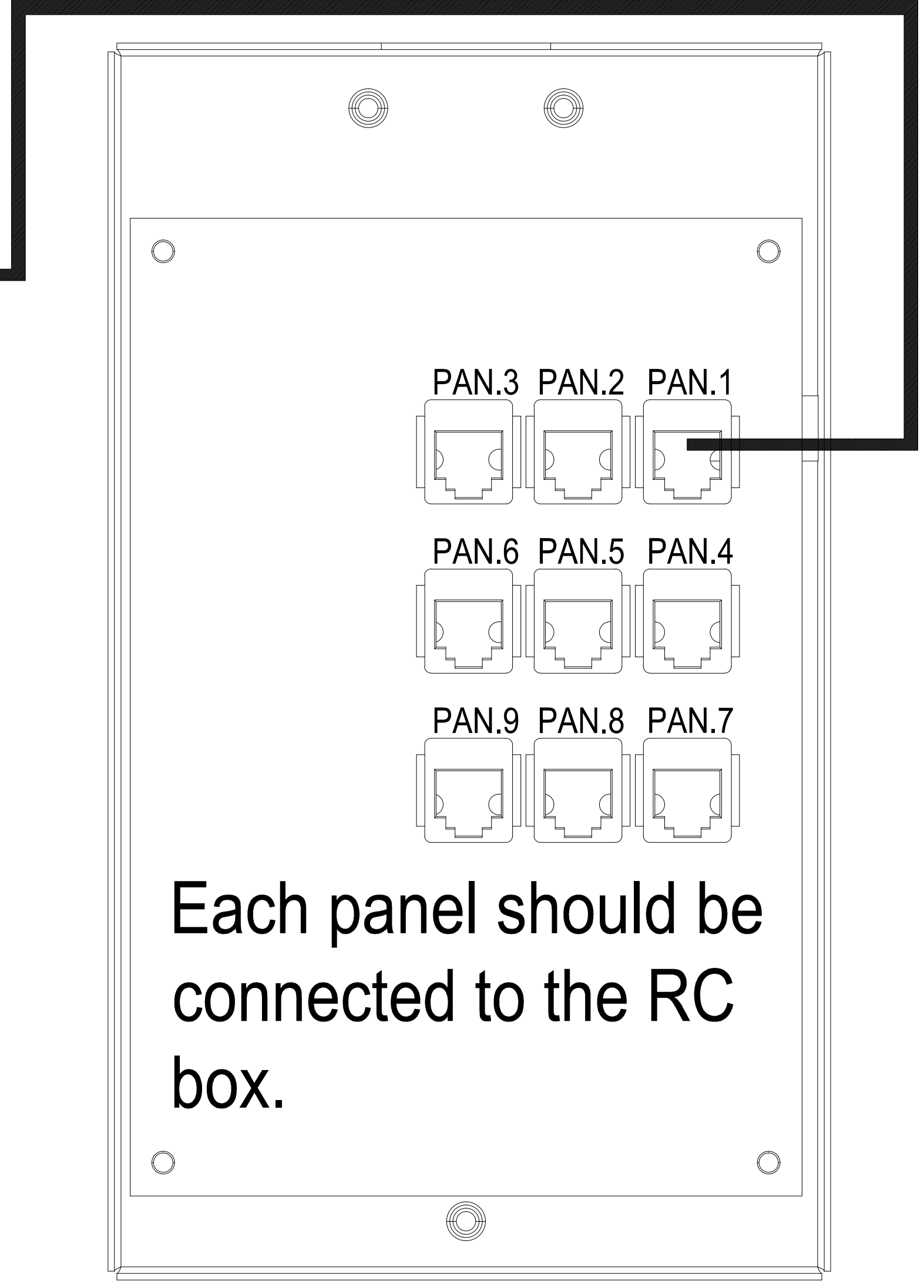
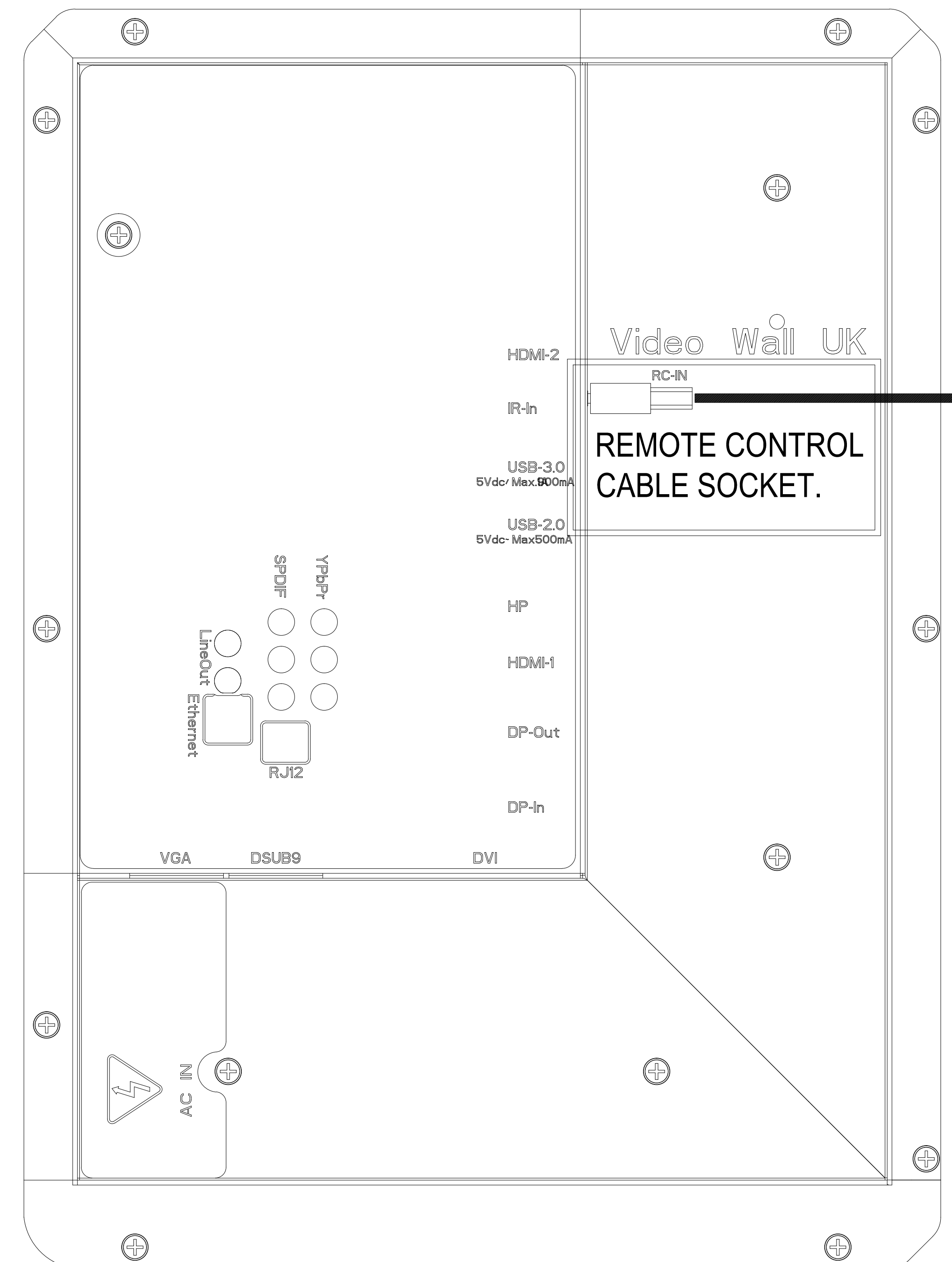
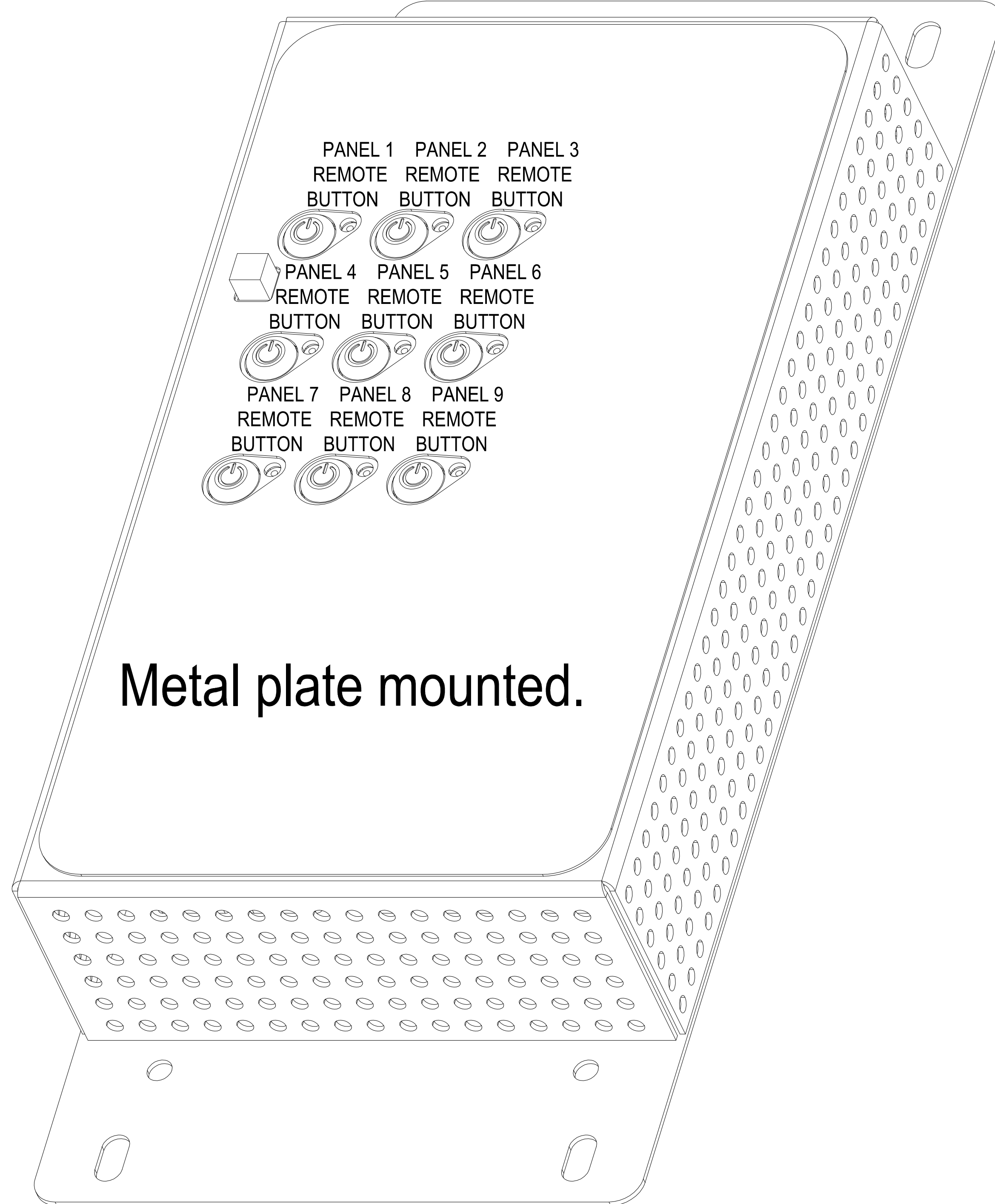
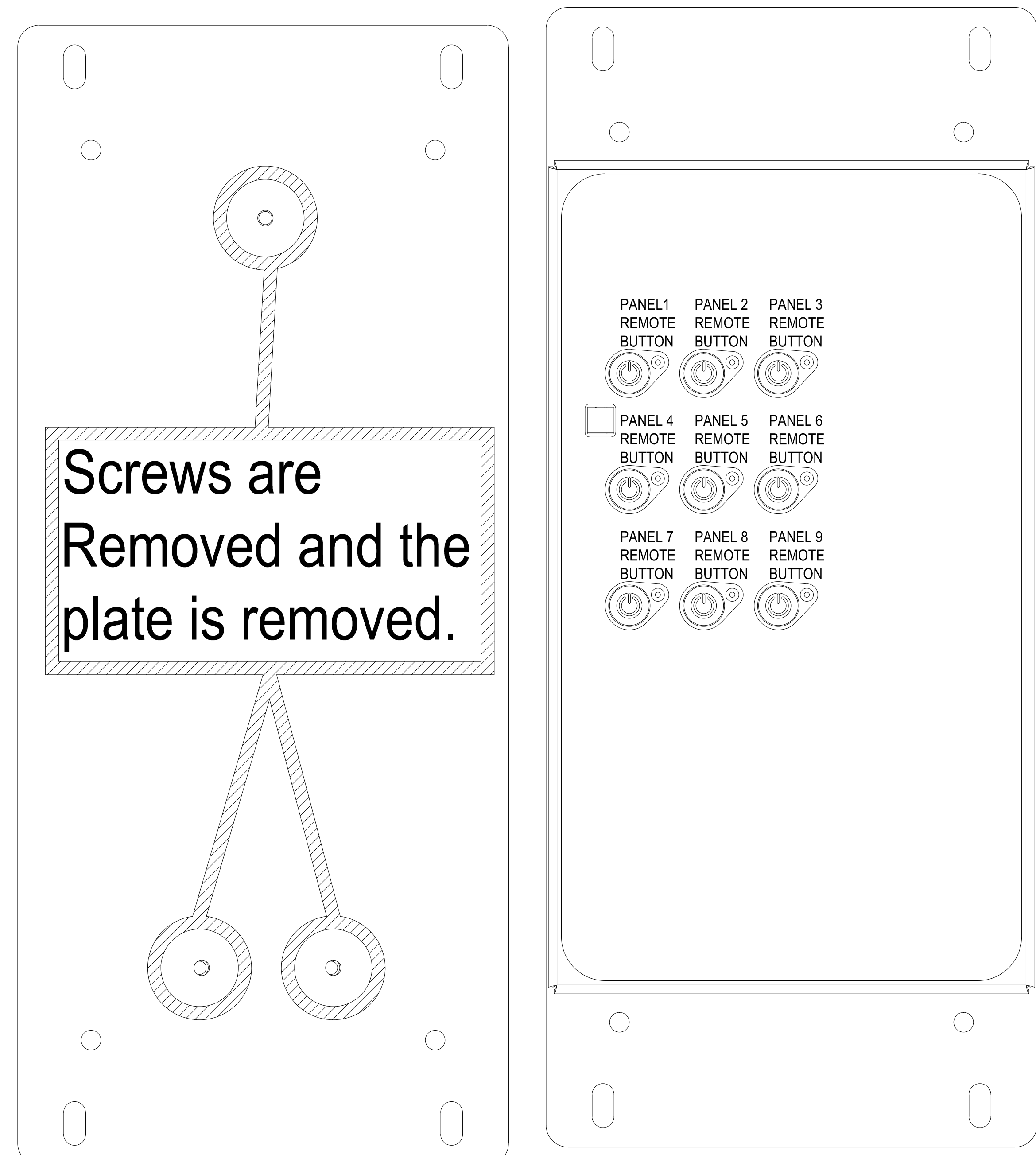


SAMPLE INSTALLATION (3X3)





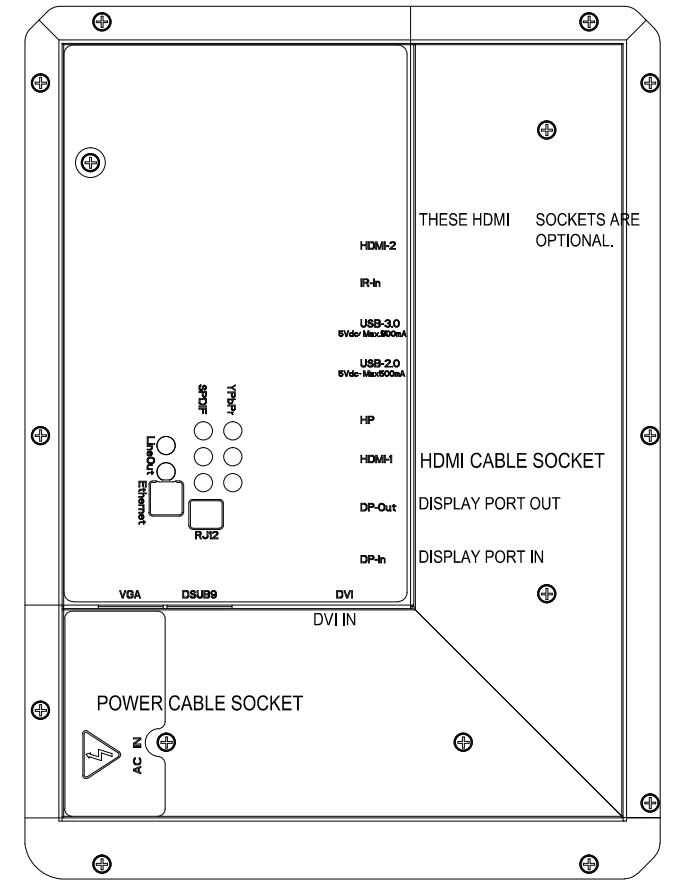
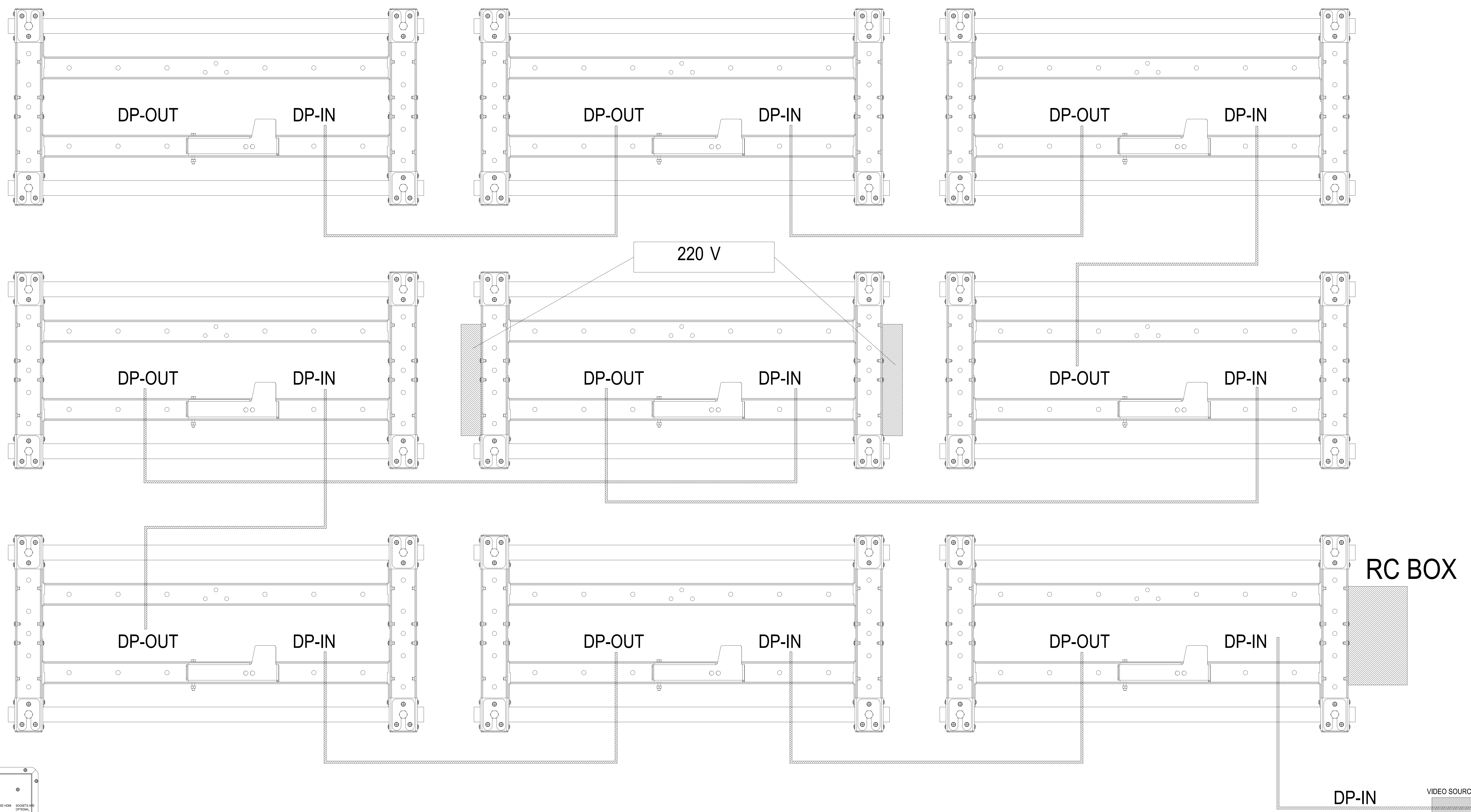
Each panel should be connected to the RC box as shown.



Each panel should be connected to the RC box.

PANEL CABLES SETTINGS

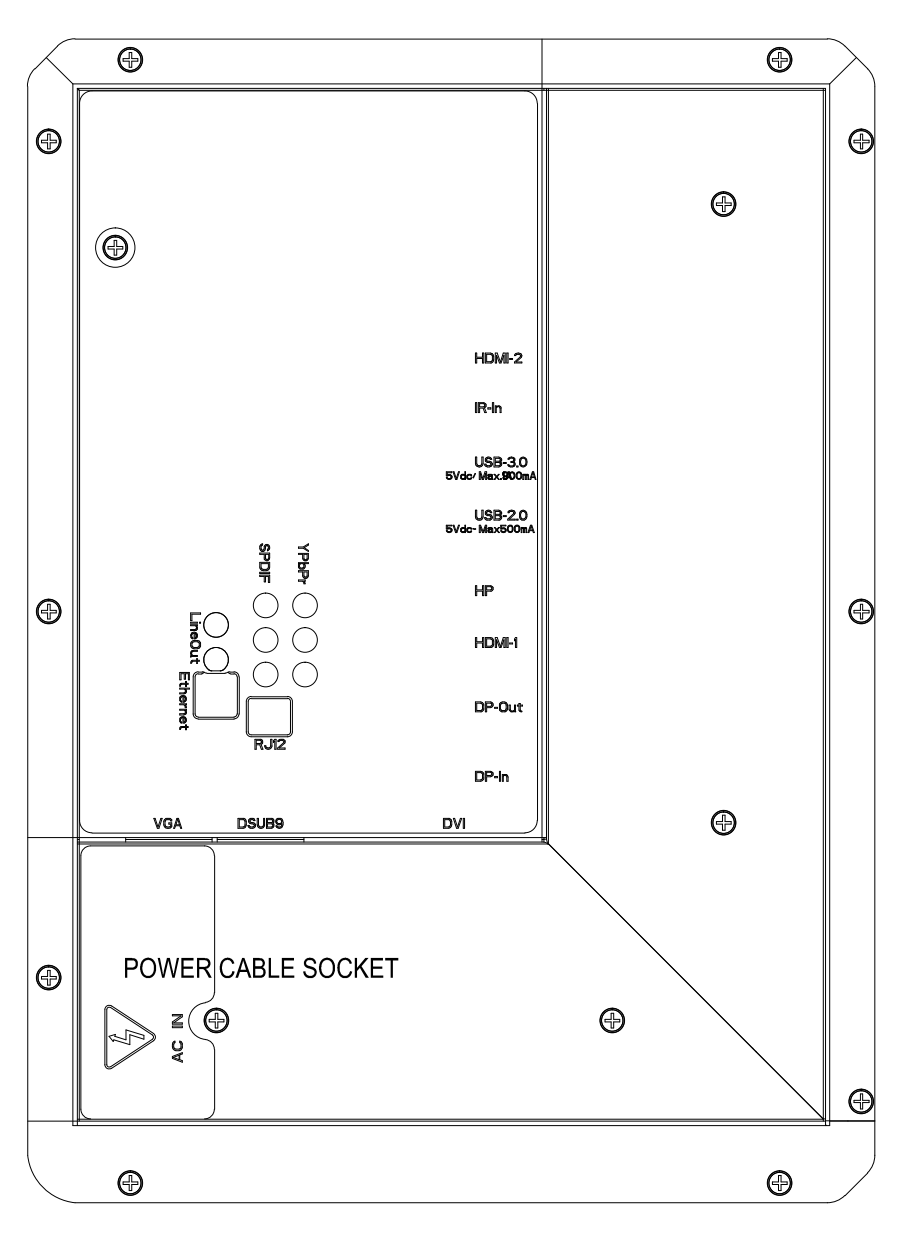
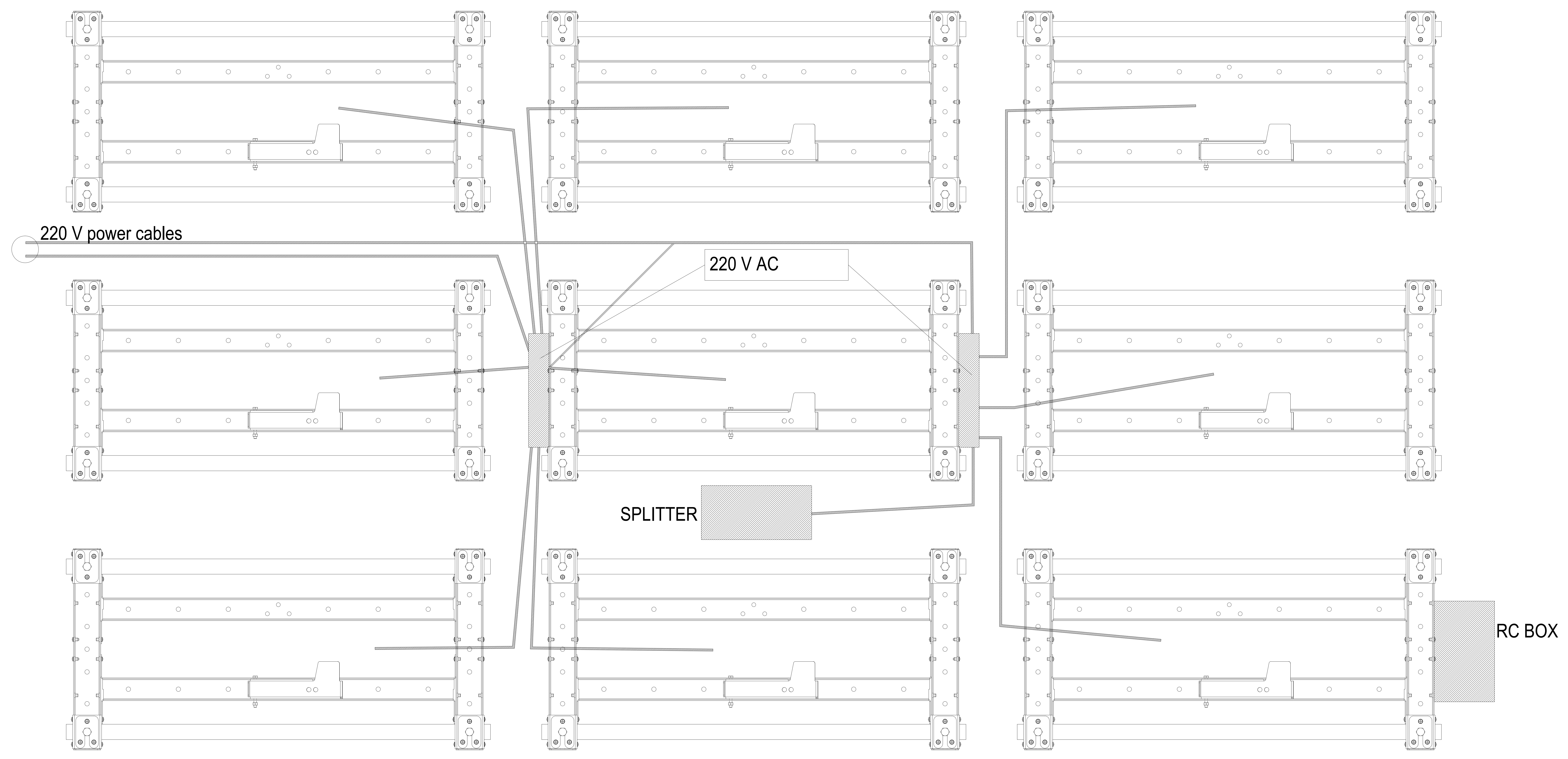
HDMI CABLE SETTINGS; FROM SPLITTER TO PANELS.



SAMPLE INSTALLATION (3X3)

PANEL CABLES SETTINGS

POWER CABLE SETTINGS; FROM POWER BOX TO UNIT.



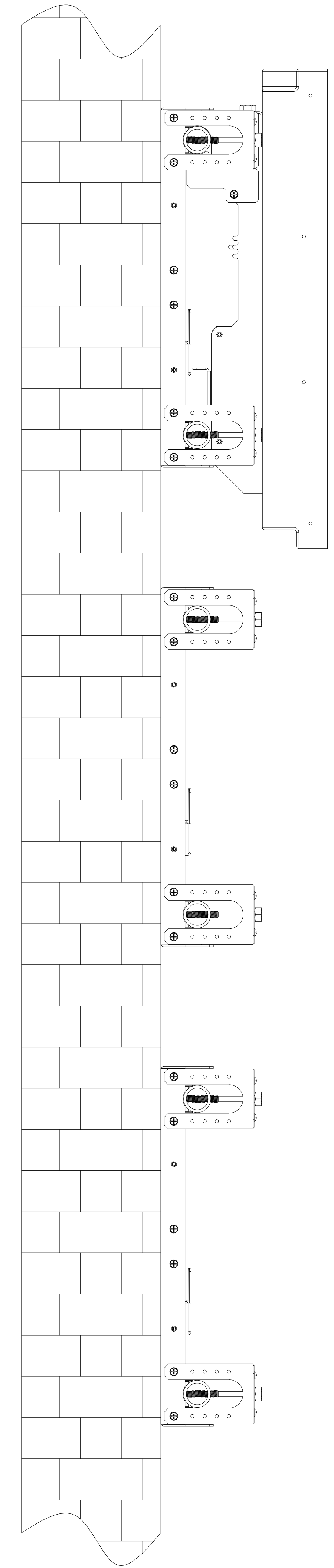
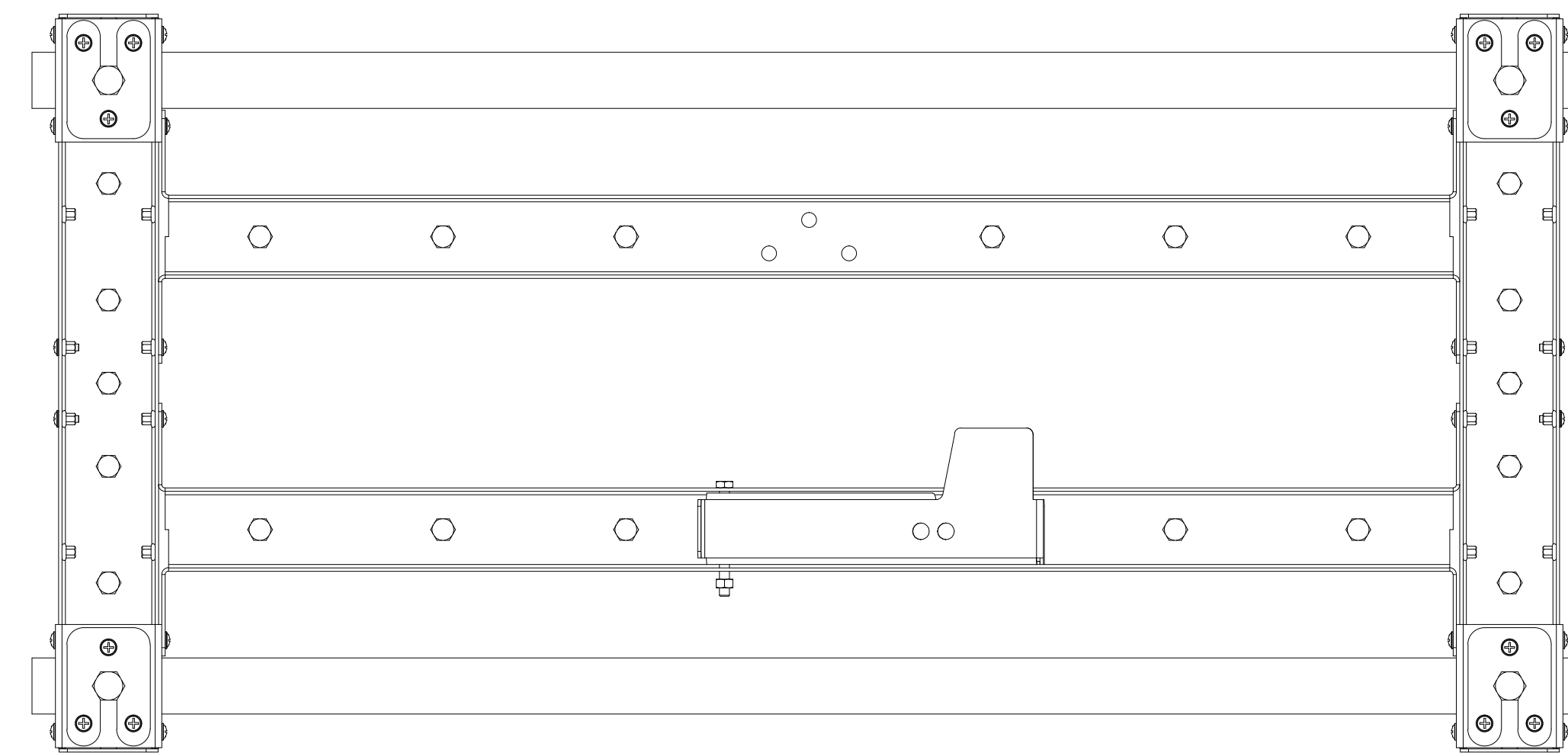
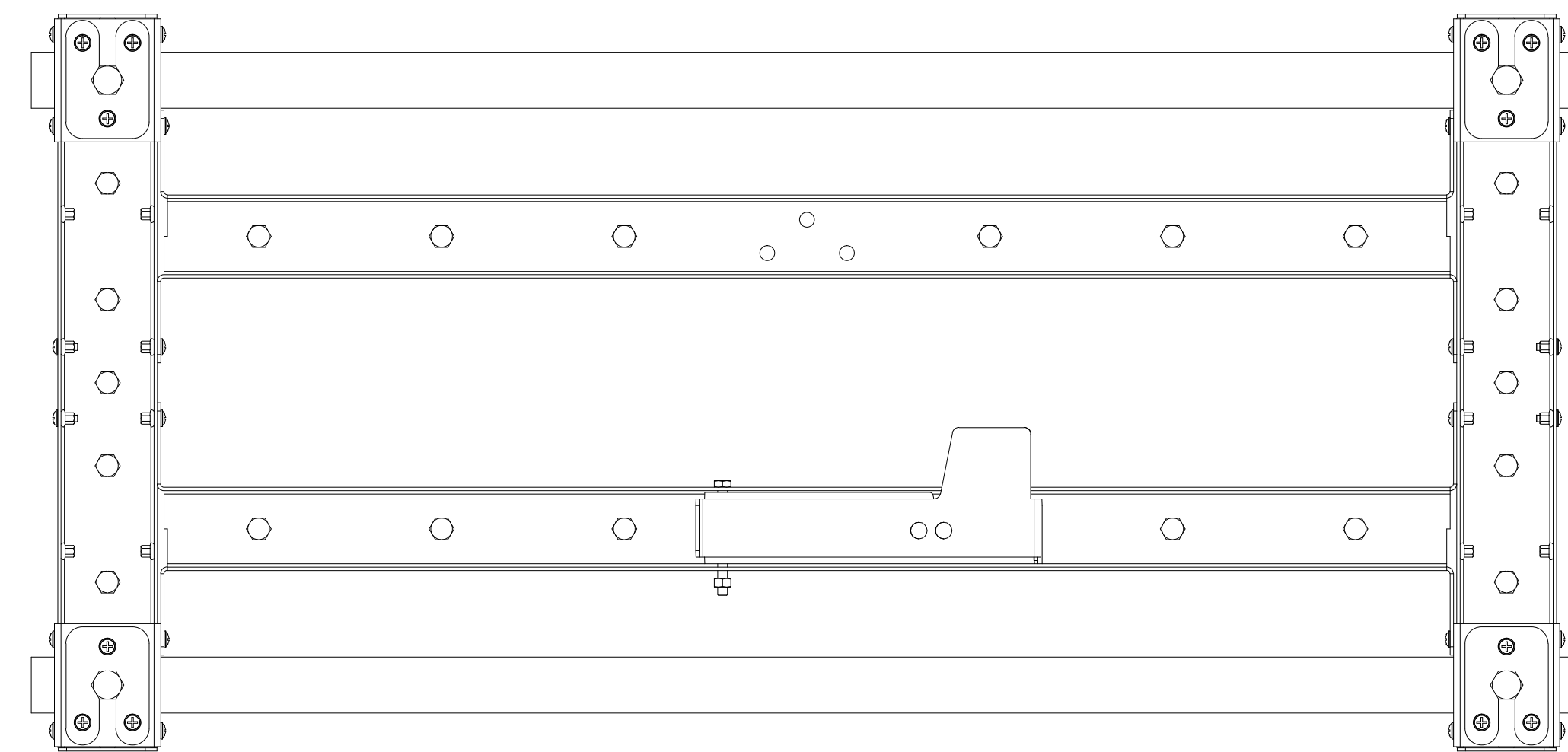
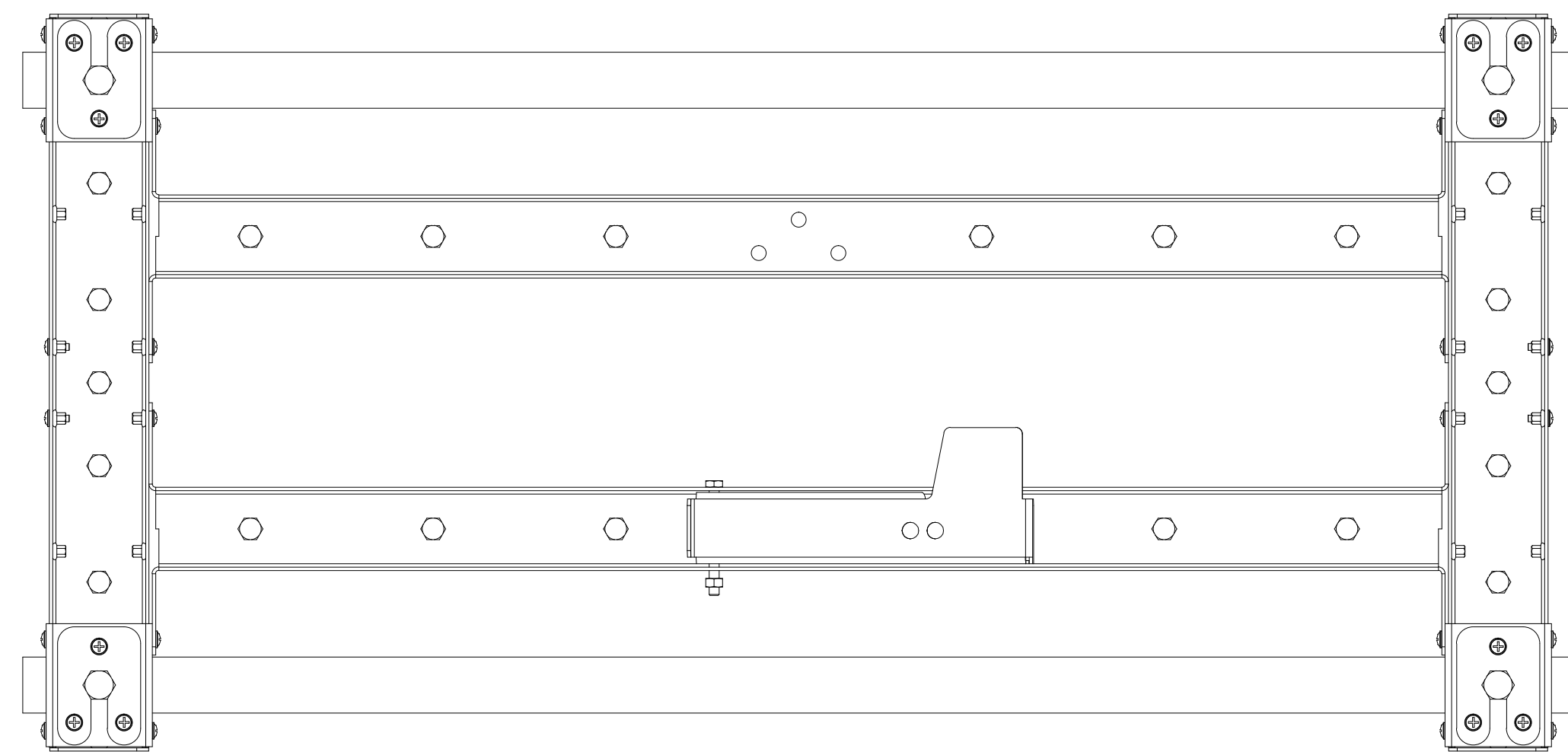
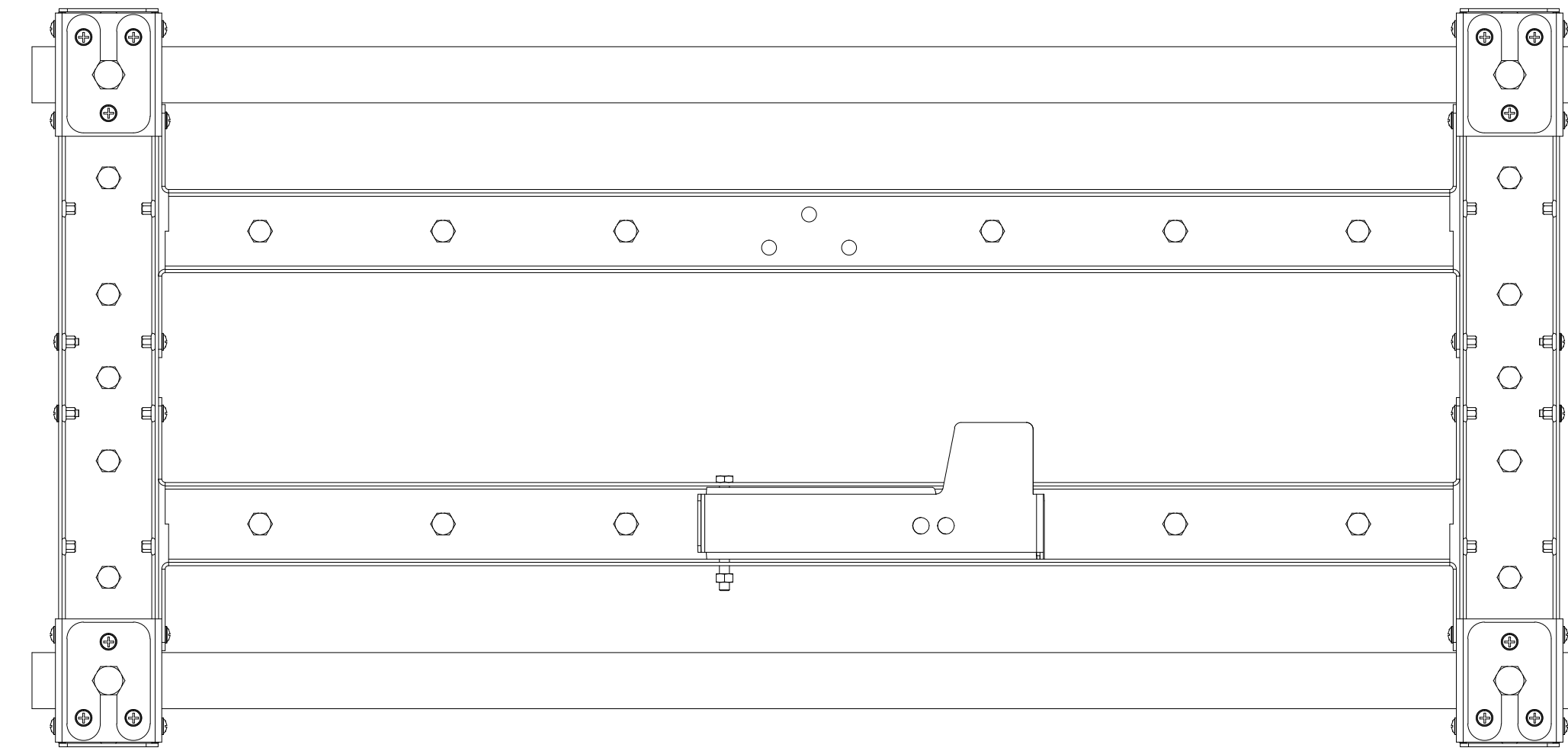
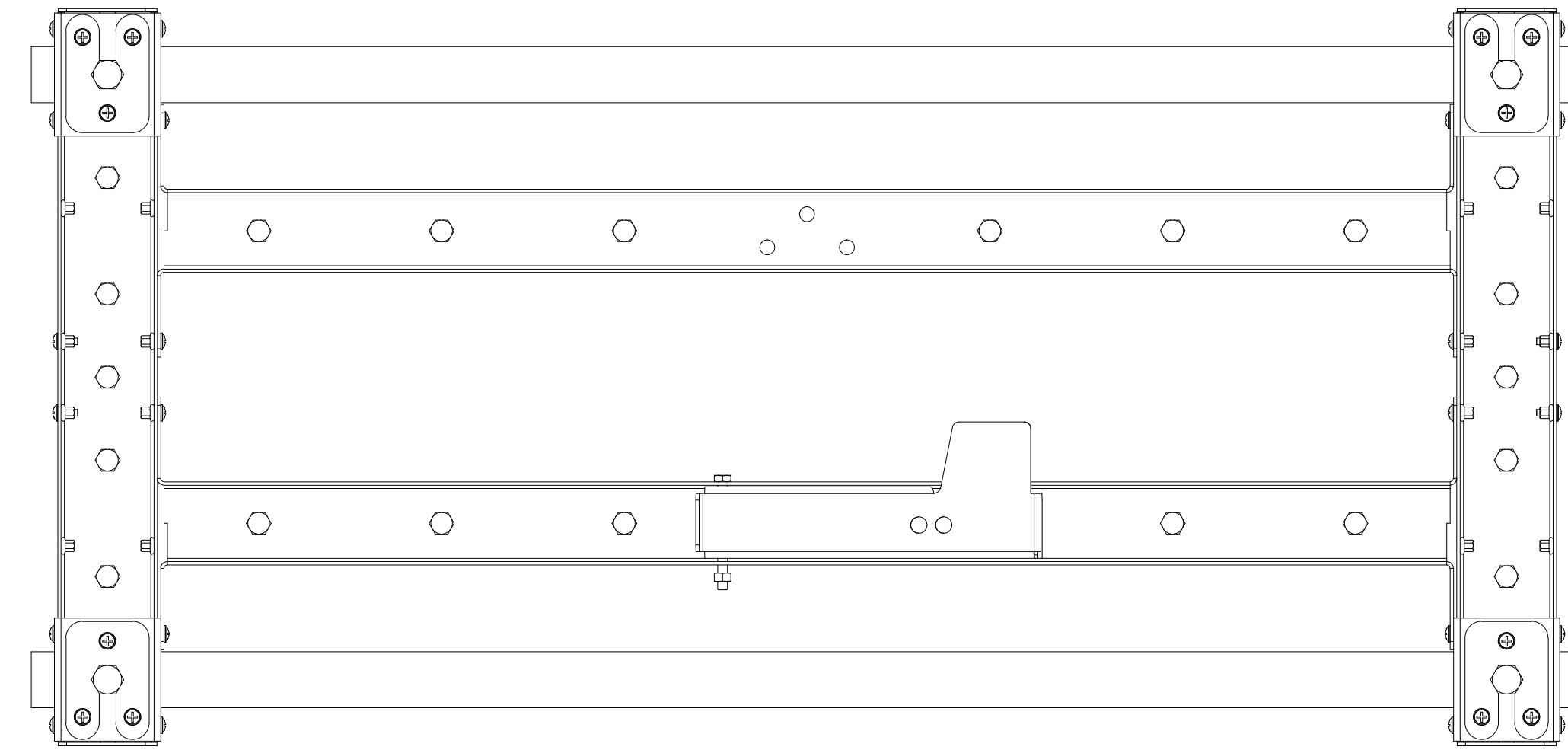
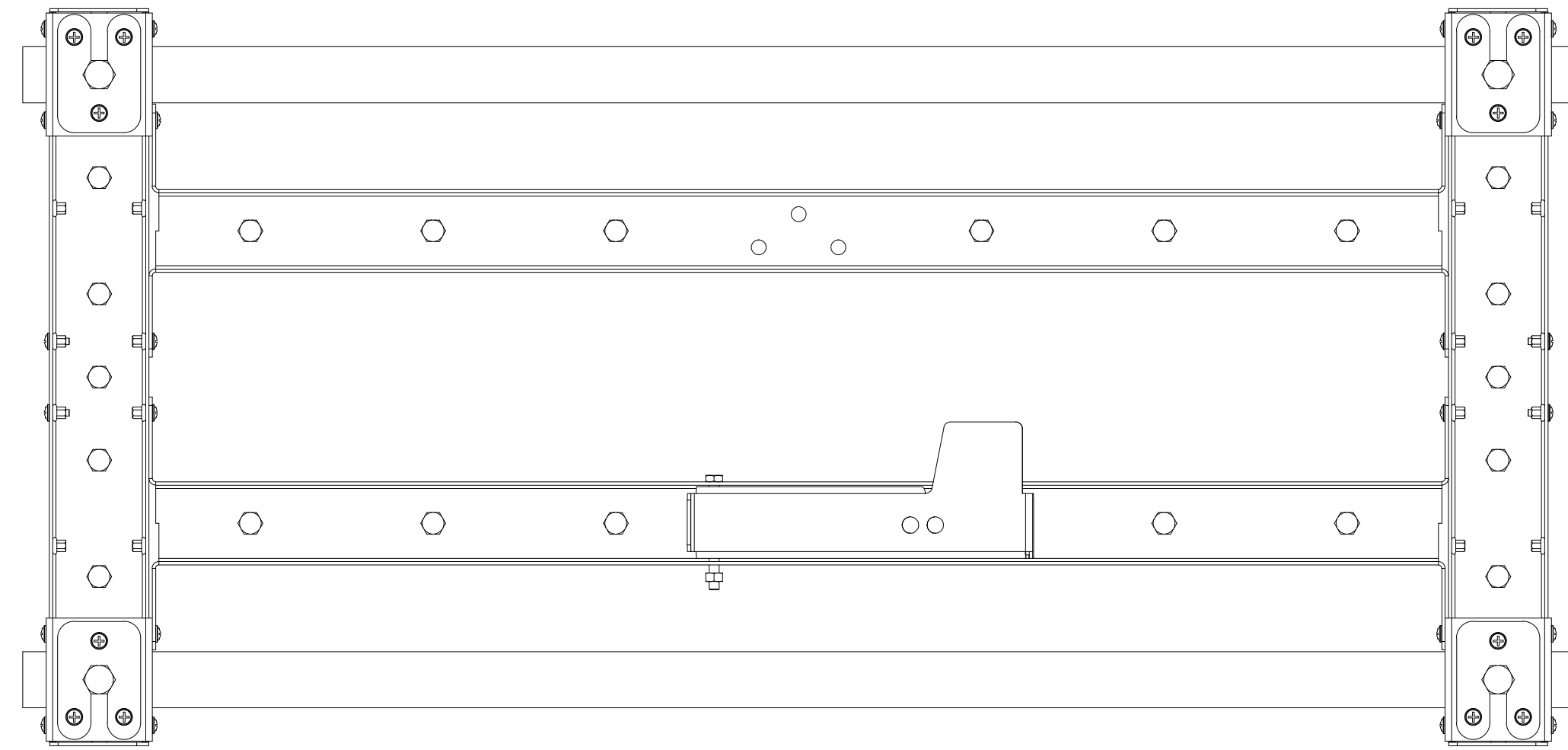
SAMPLE INSTALLATION (3X3)

Step-3 Mount the Panels

1.PANEL

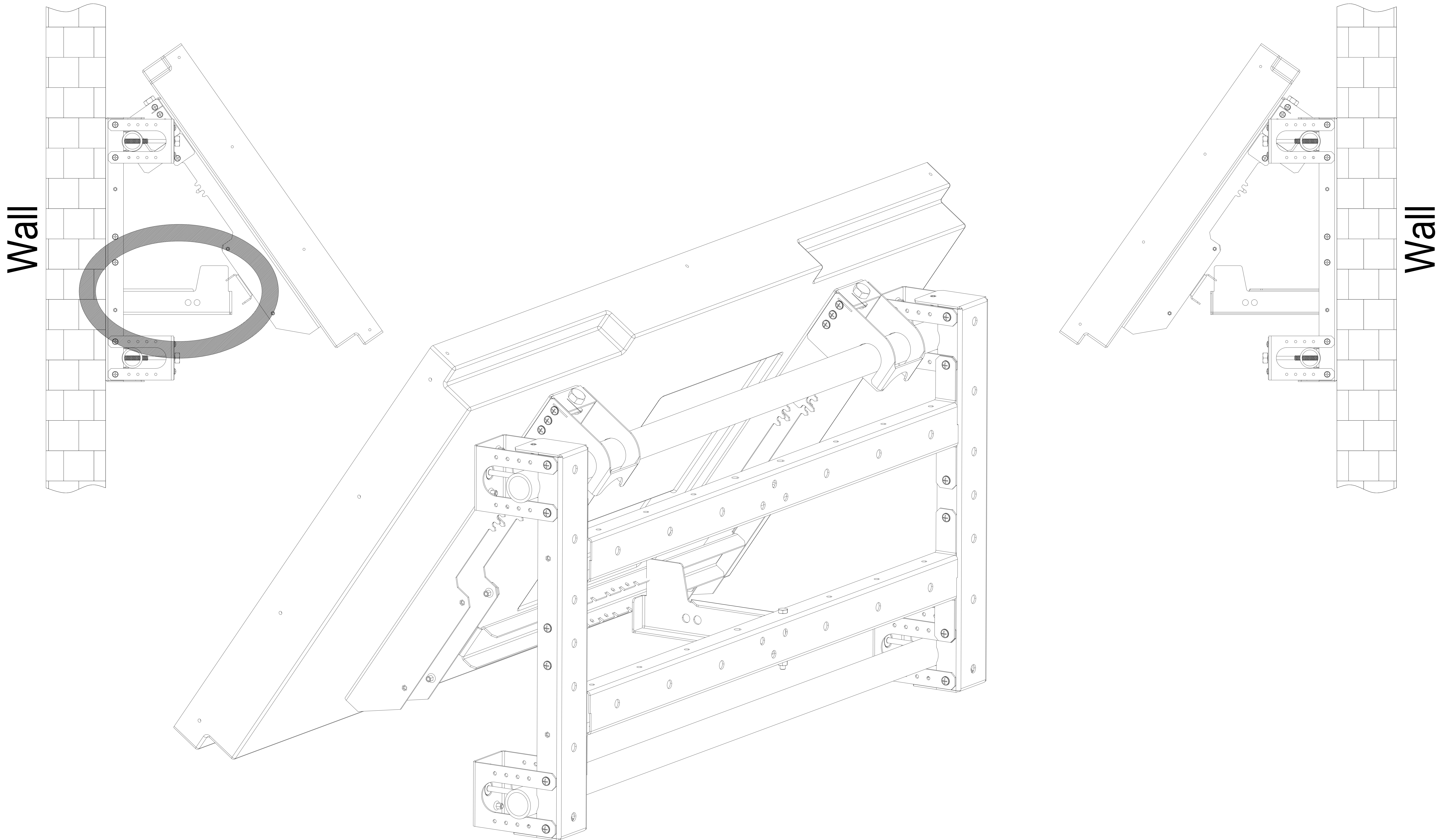
2.PANEL

3.PANEL



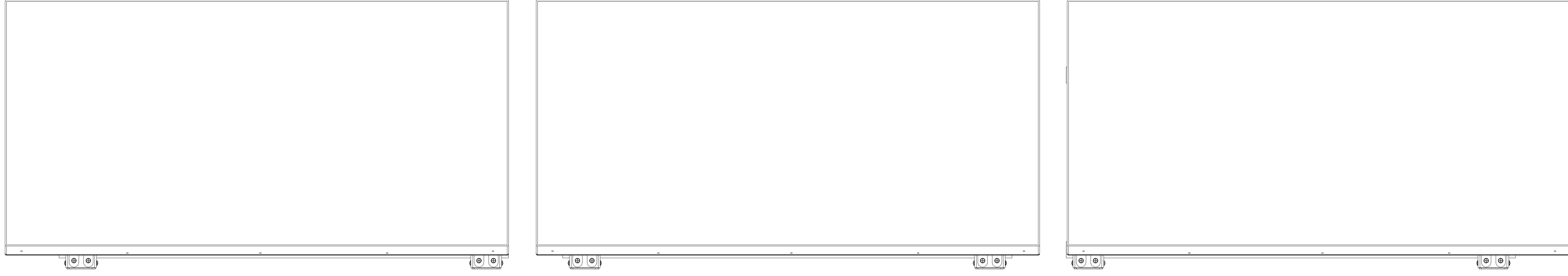
Mounting of panels must be started from top.

After mounting , panels should be set to maintenance mode.

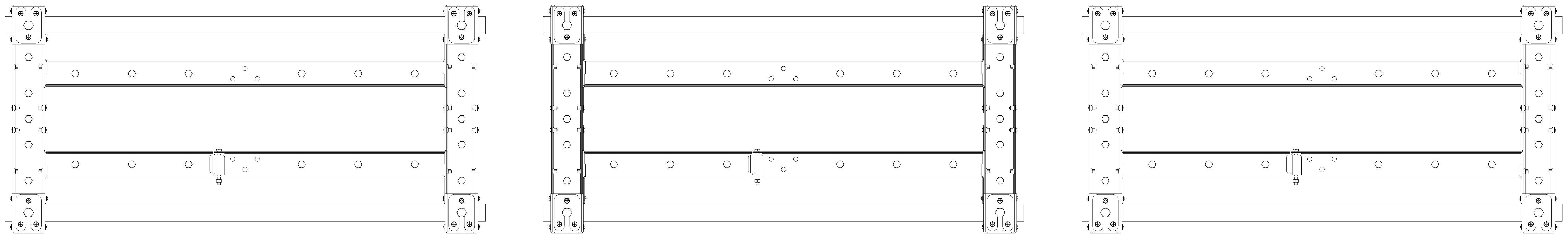


AFTER MOUNTING THE TOP LINE , ALL THE PANELS OF THE TOP LINE SHOULD BE SET TO MAINTENANCE MODE .

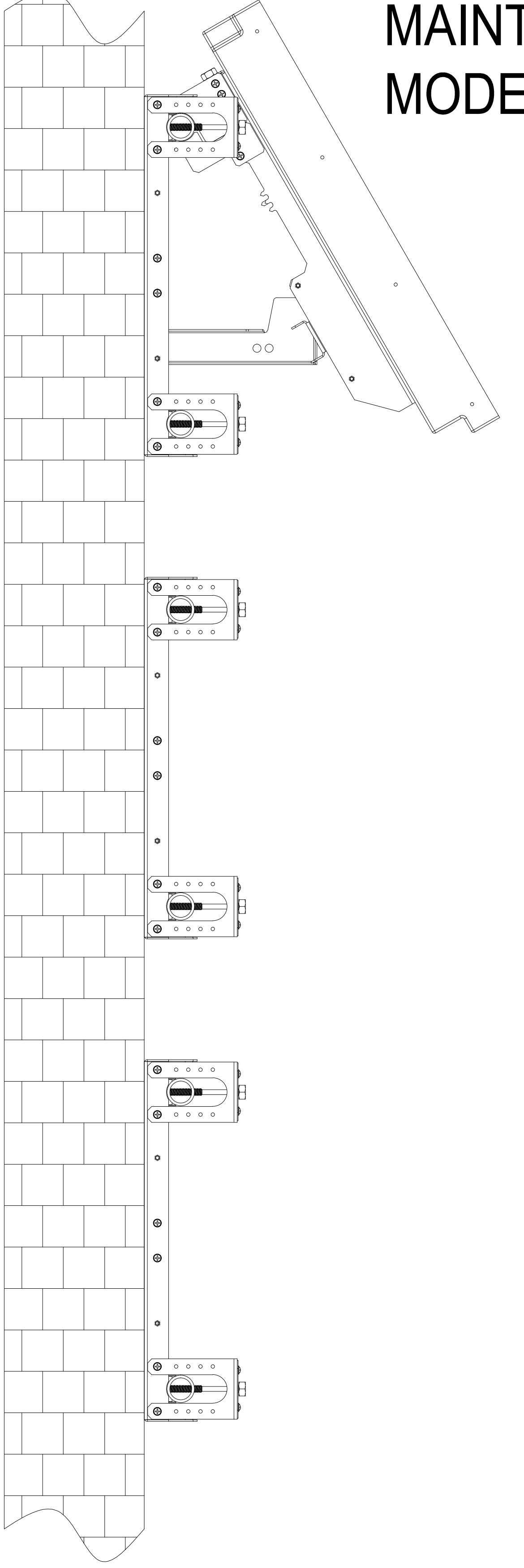
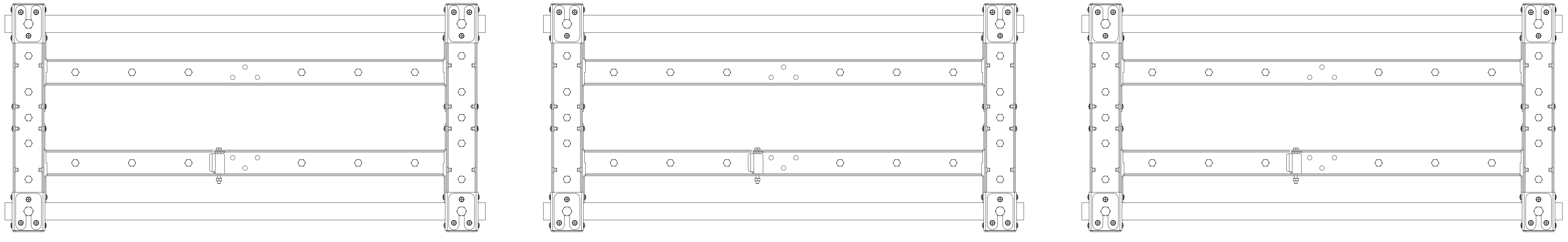
TOP LINE



MIDDLE LINE



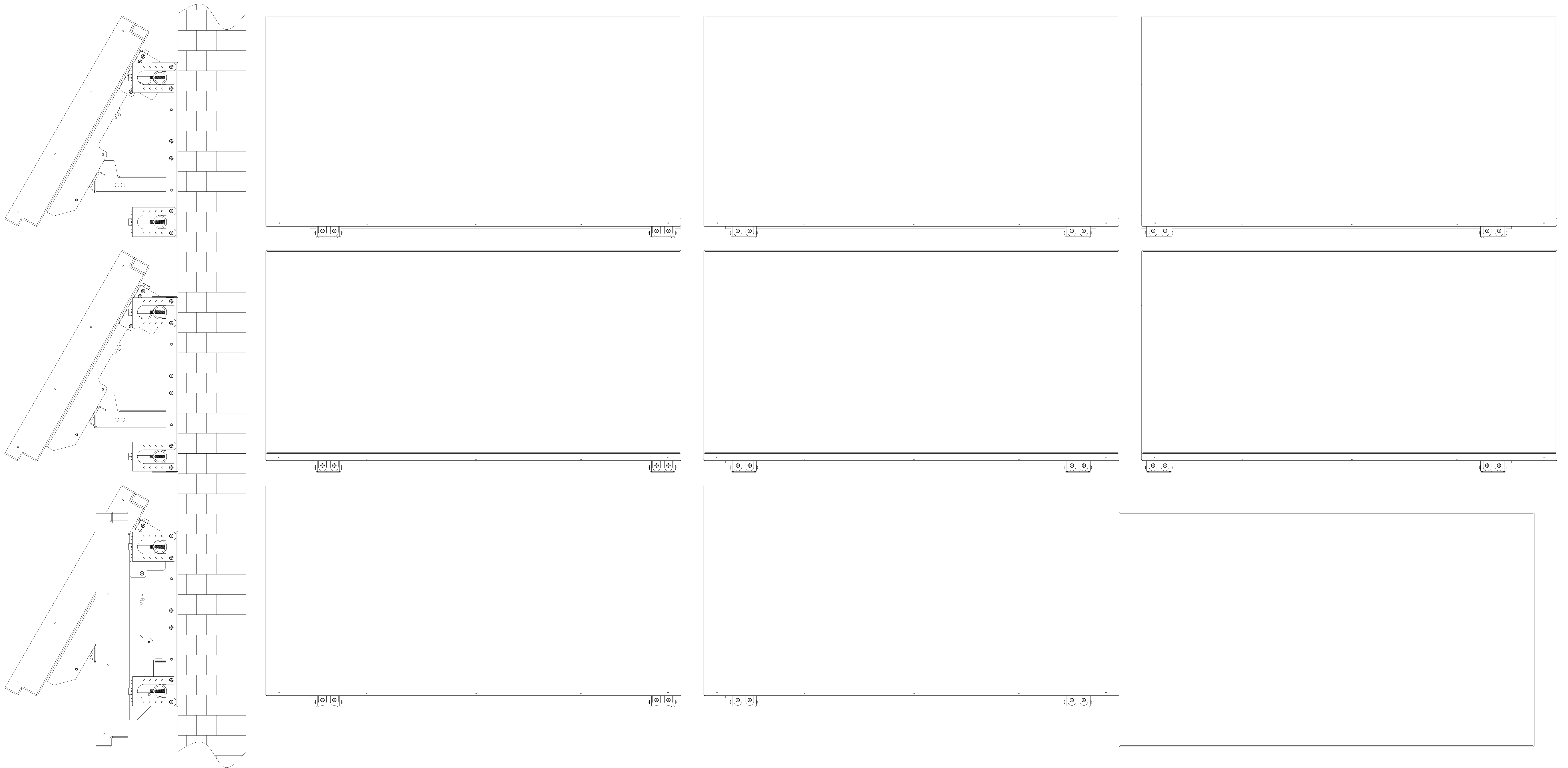
BOTTOM LINE



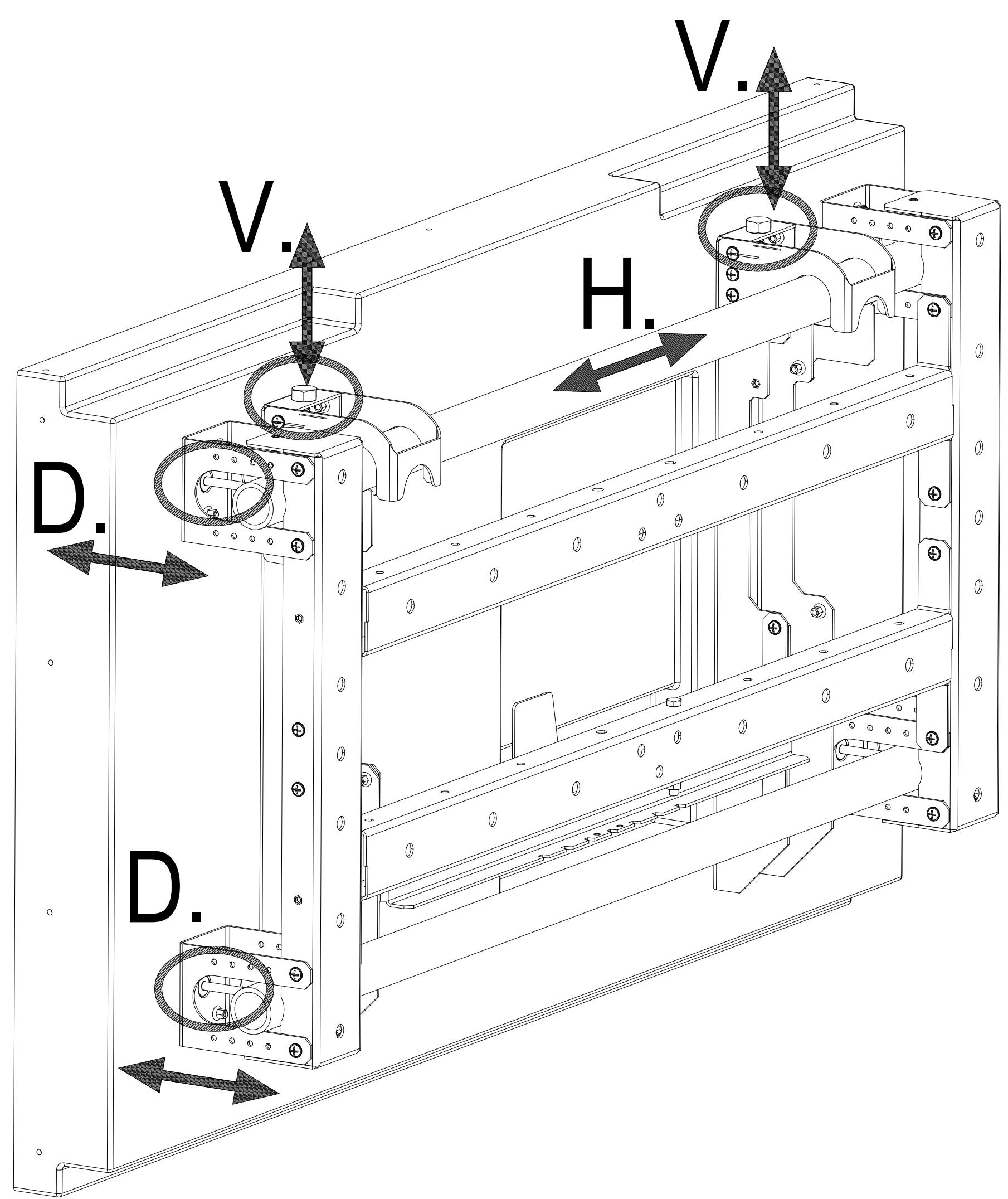
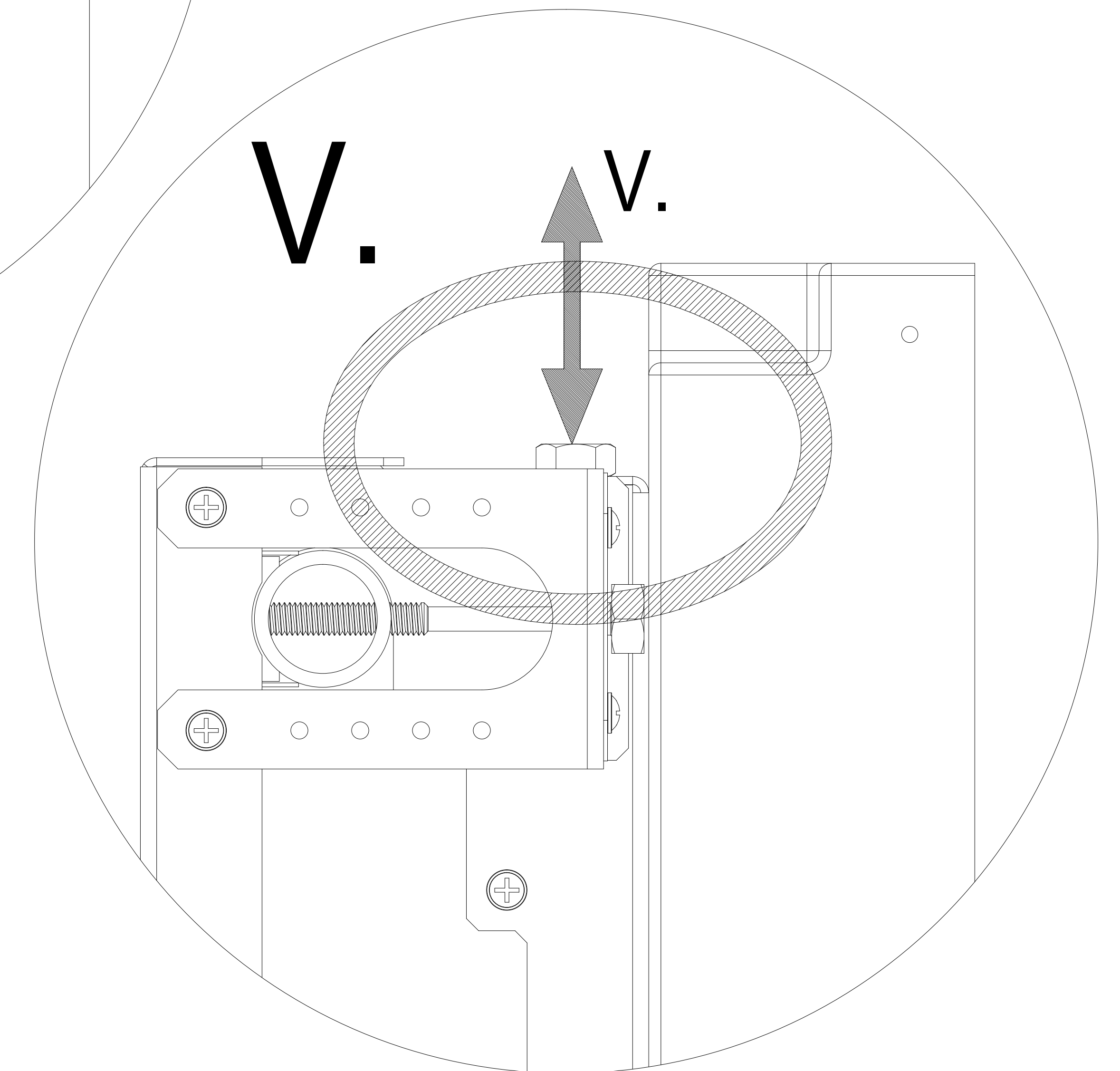
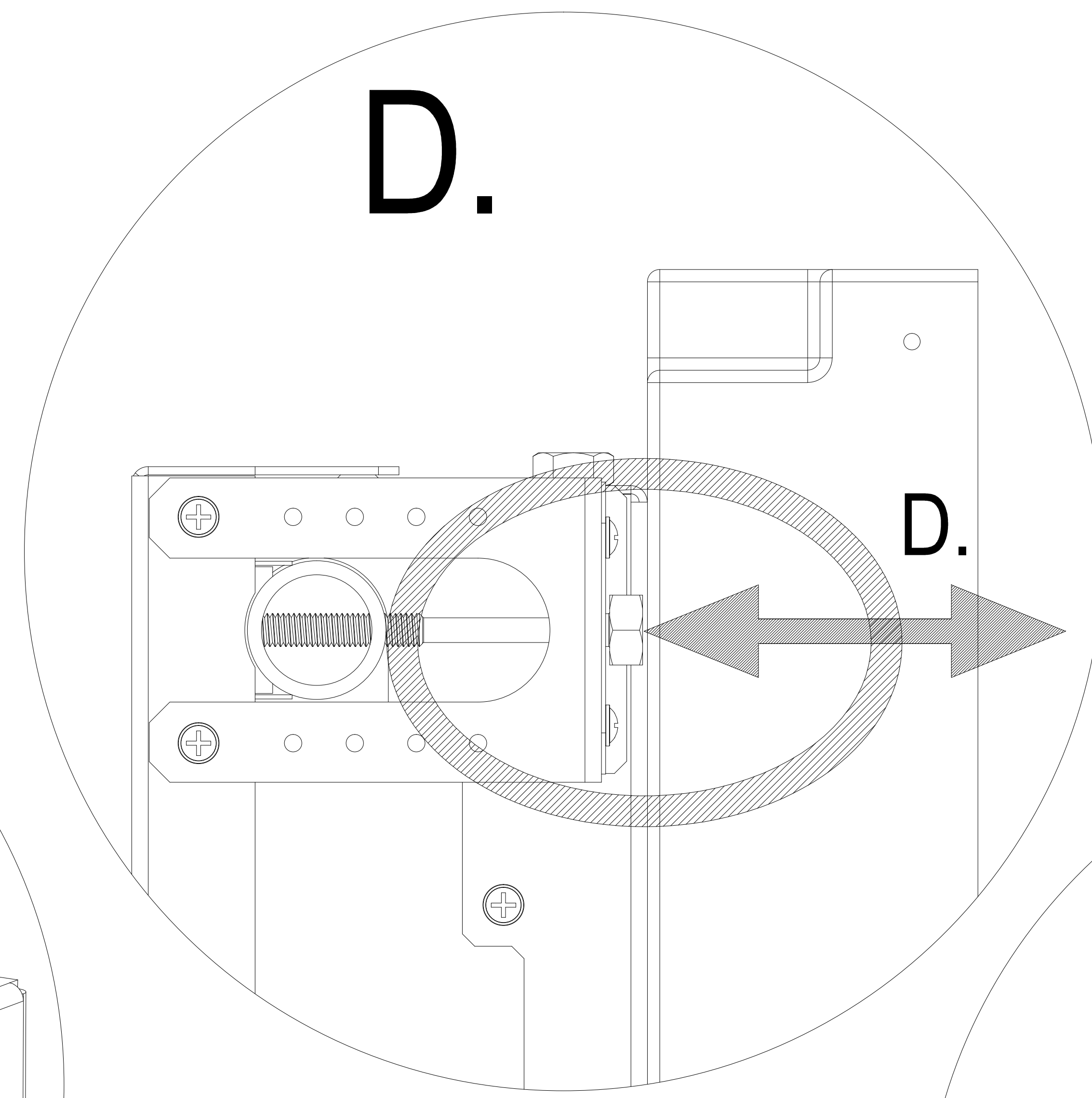
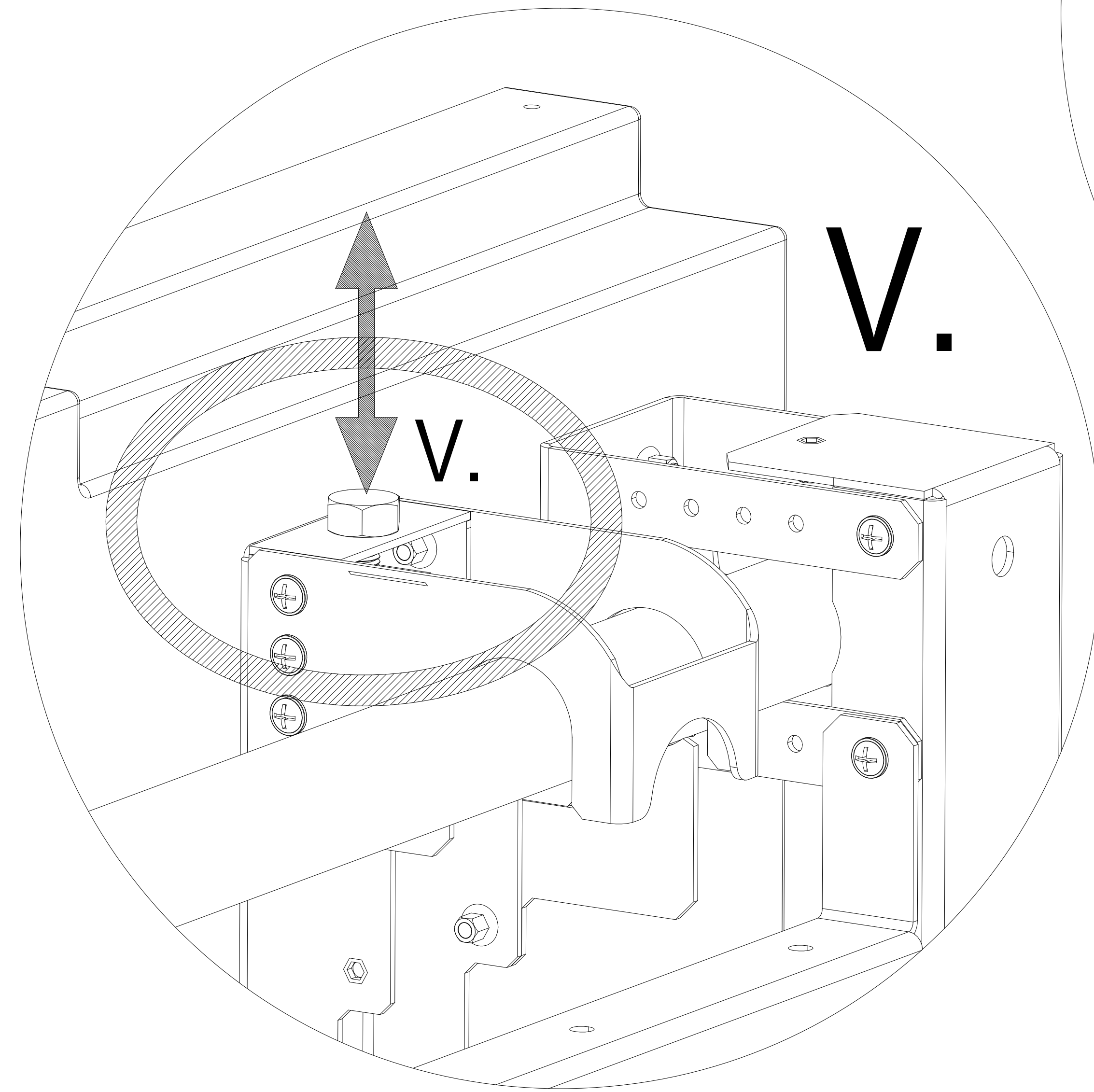
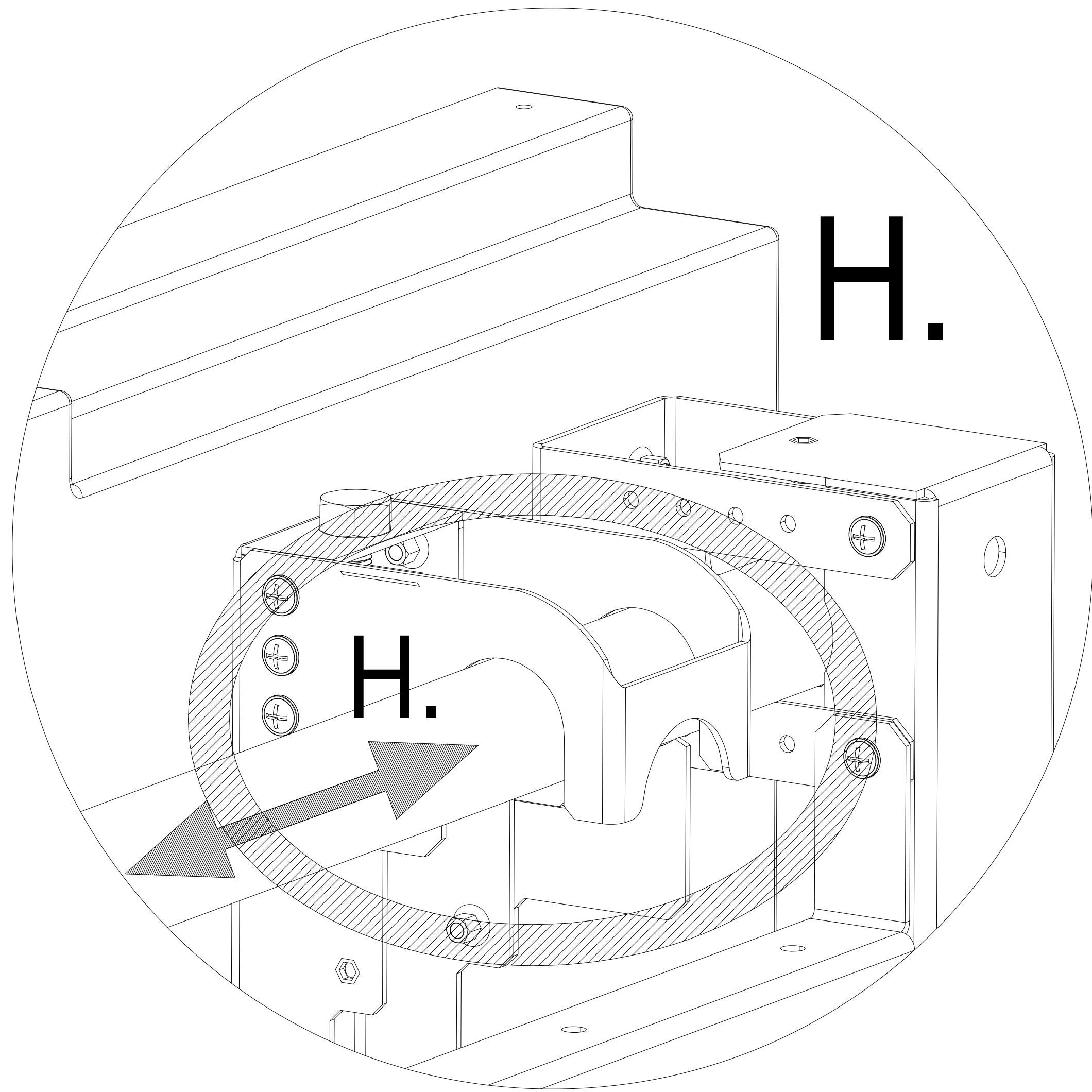
MAINTENANCE MODE.

SAMPLE INSTALLATION (3X3)

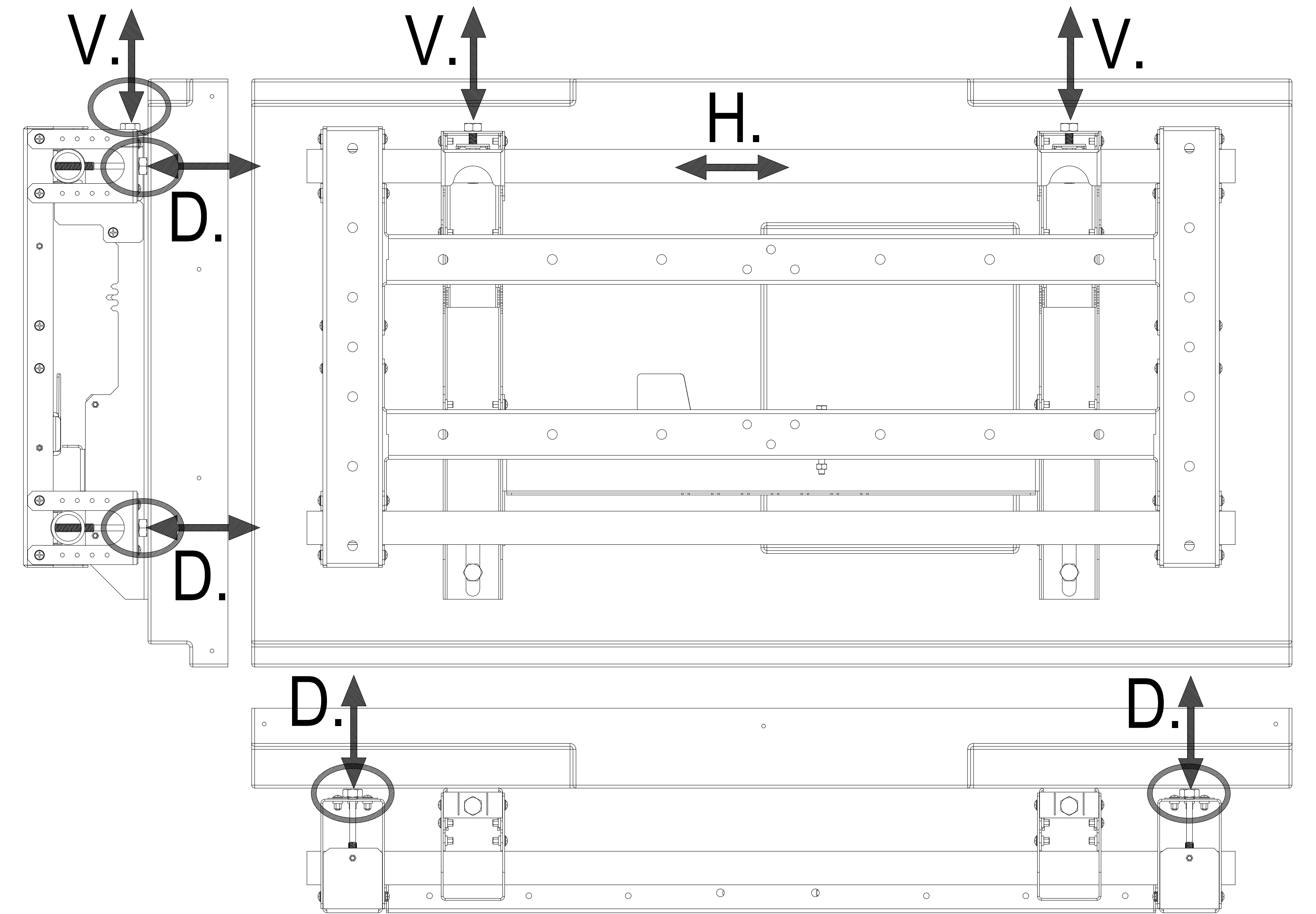
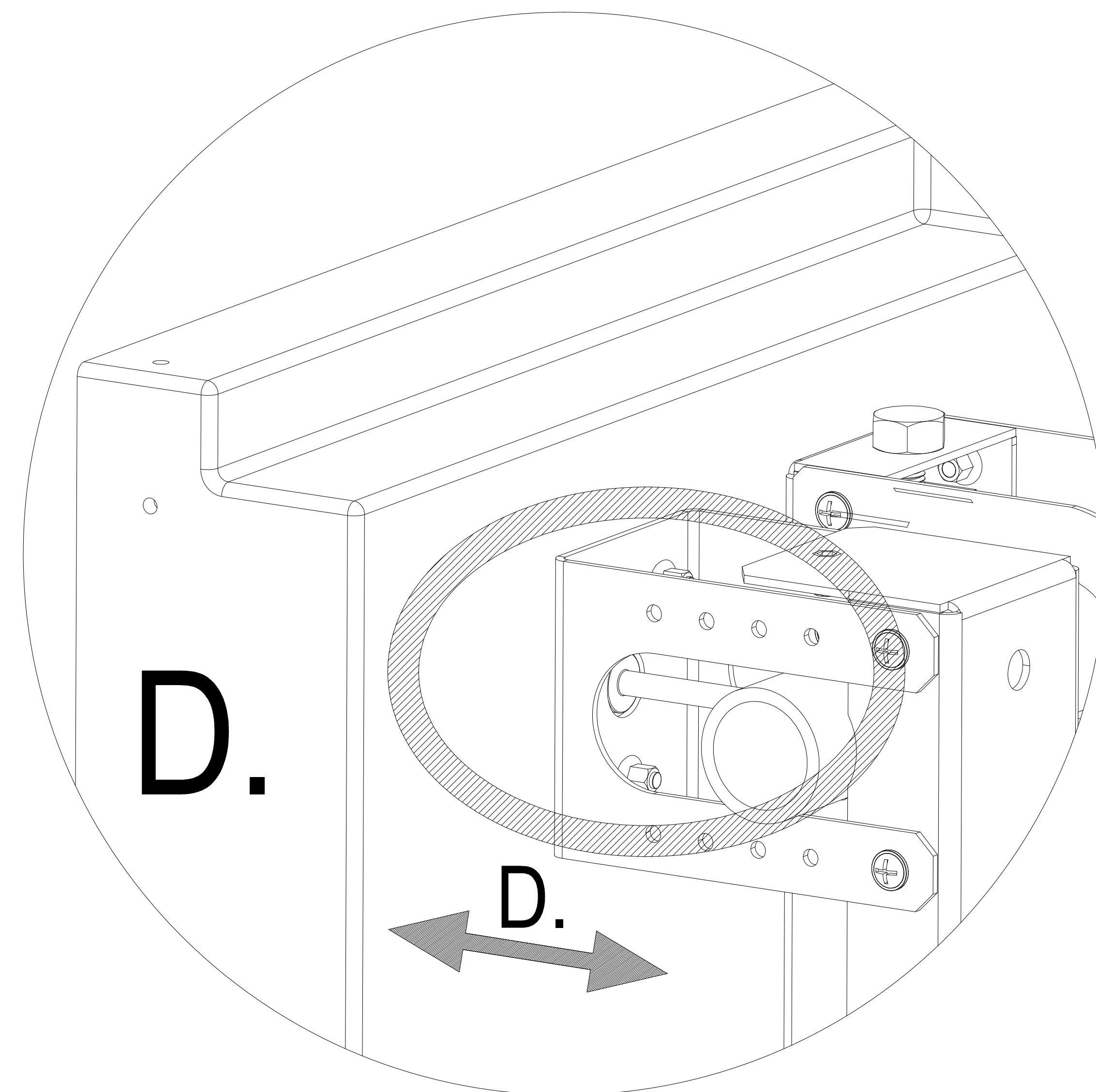
SAMPLE INSTALLATION (3X3)



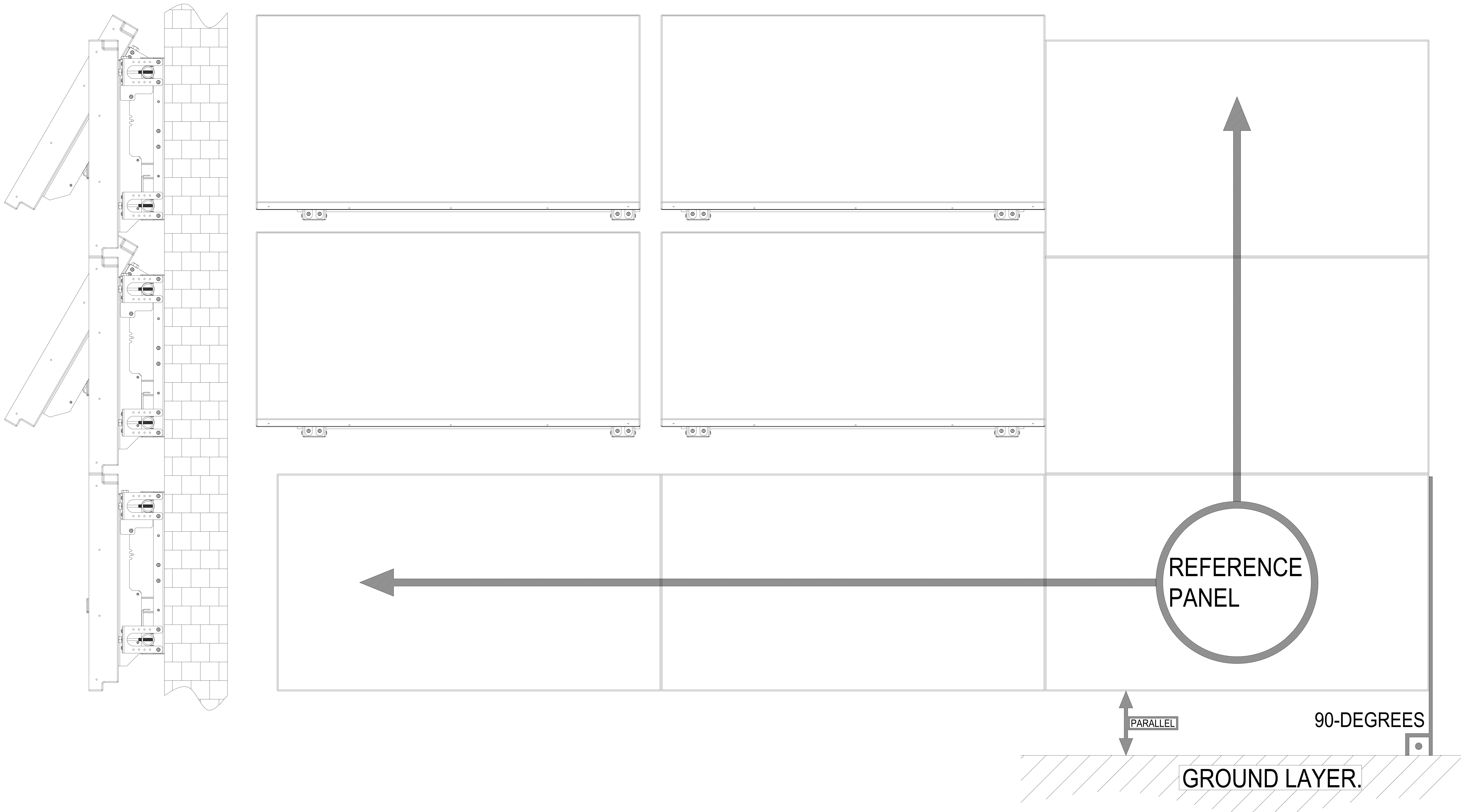
HOW TO ADJUST THE PANEL'S DEPTH, HORIZONTAL AND VERTICAL SEETING'S ARE EXPLAINED IN NEXT PAGE



DEPTH,
SETTING.
VERTICAL,
SETTING
HORIZONTAL,
SETTING.



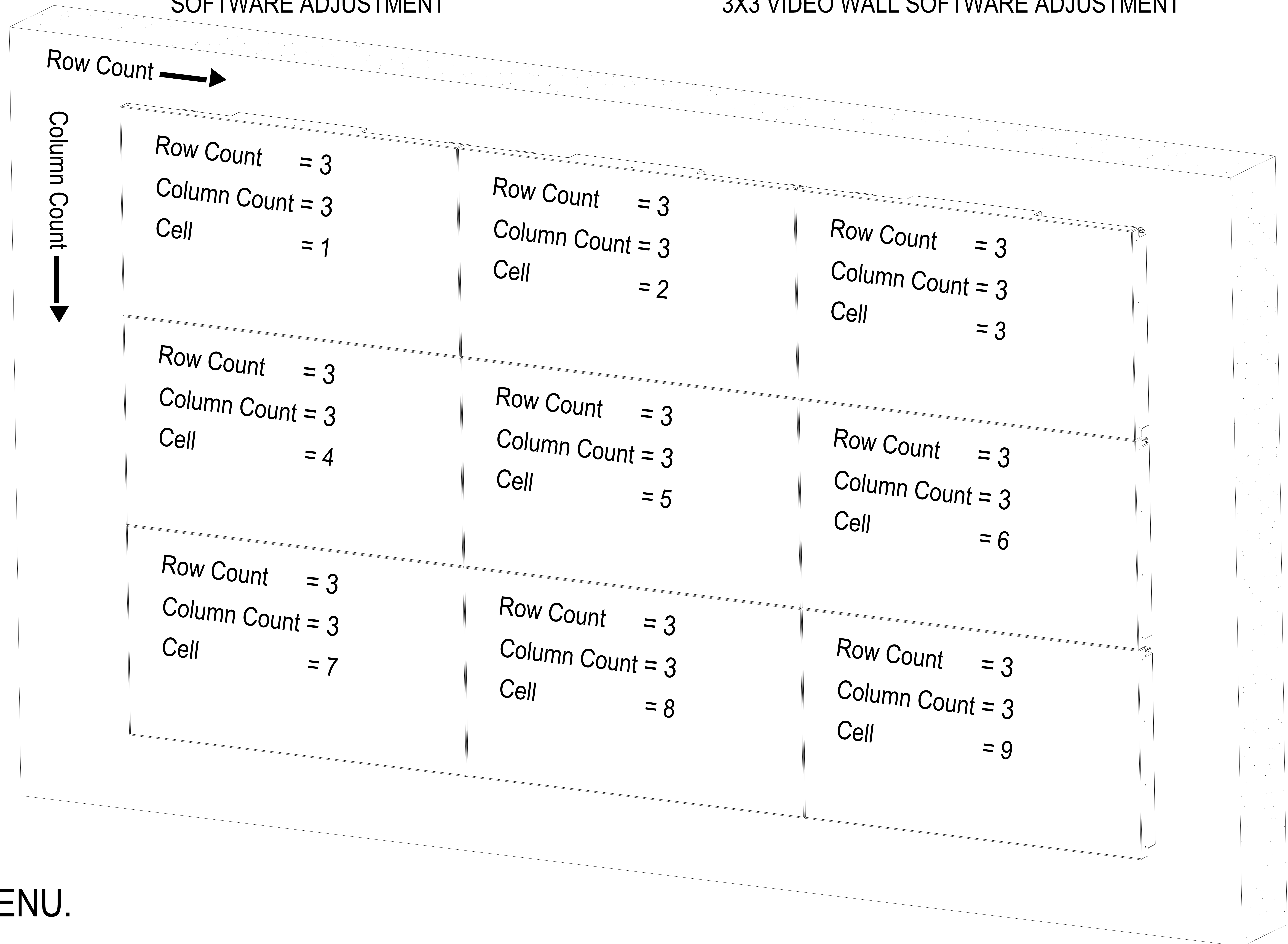
SAMPLE INSTALLATION (3X3)



- 1) ADJUST THE REFERENCE PANEL PARALLEL TO THE GROUND.
- 2) THE BOTTOM LINE'S HORIZONTAL, DEPTH , VERTICAL POSITION SHOULD BE ADJUSTED ACCORDING TO THE REFERENCE PANEL.
- 3) THE RIGHT VERTICAL LINE'S HORIZONTAL, VERTICAL, DEPTH POSITION SHOULD BE ADJUSTED ACCORDING TO THE REFERENCE PANEL.
- 4)ADJUST THE REST OF THE SYSTEM WITH REFERENCE OF BOTTOM AND RIGHT LINE.

SOFTWARE

ADJUSTMENT

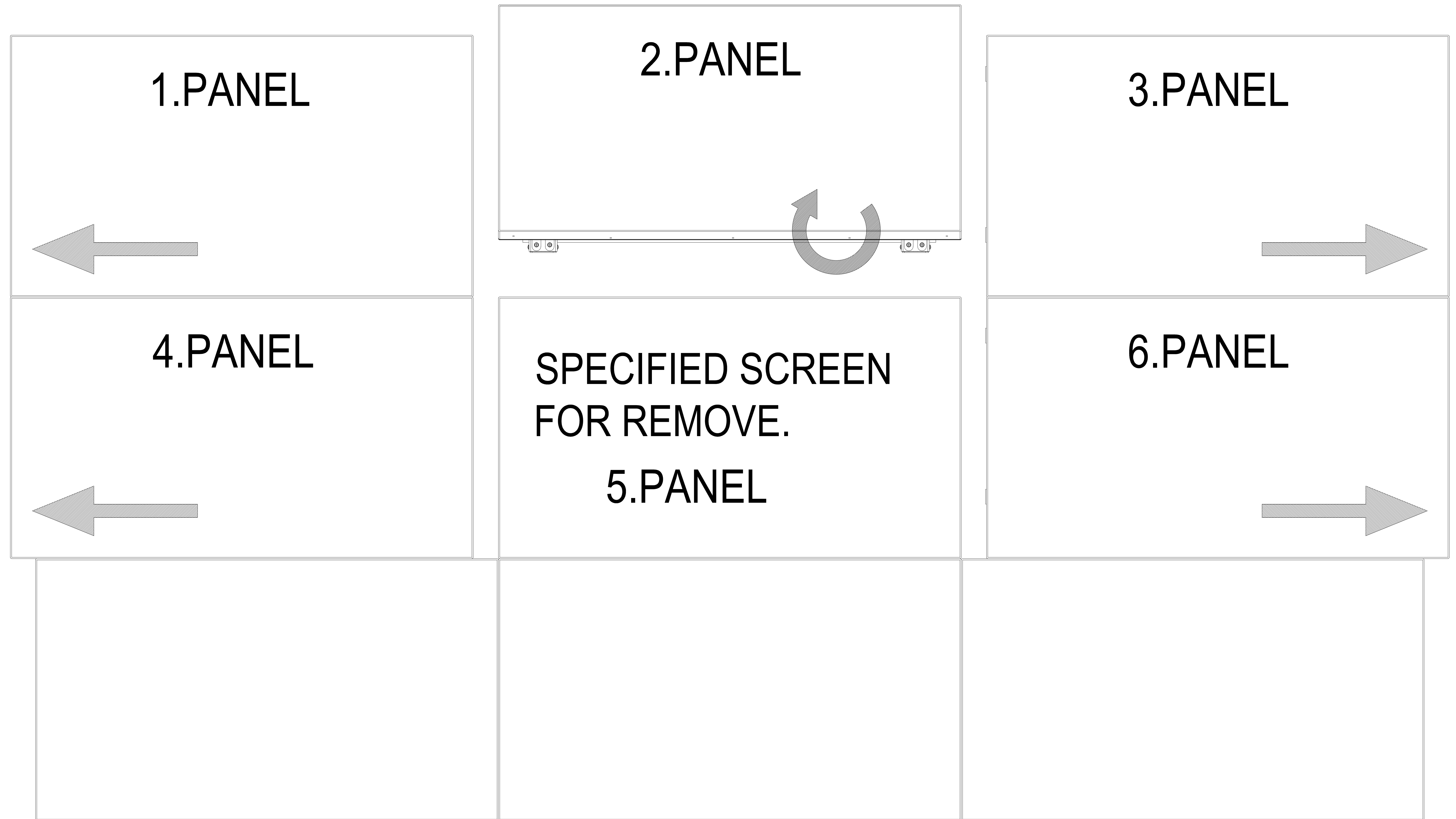
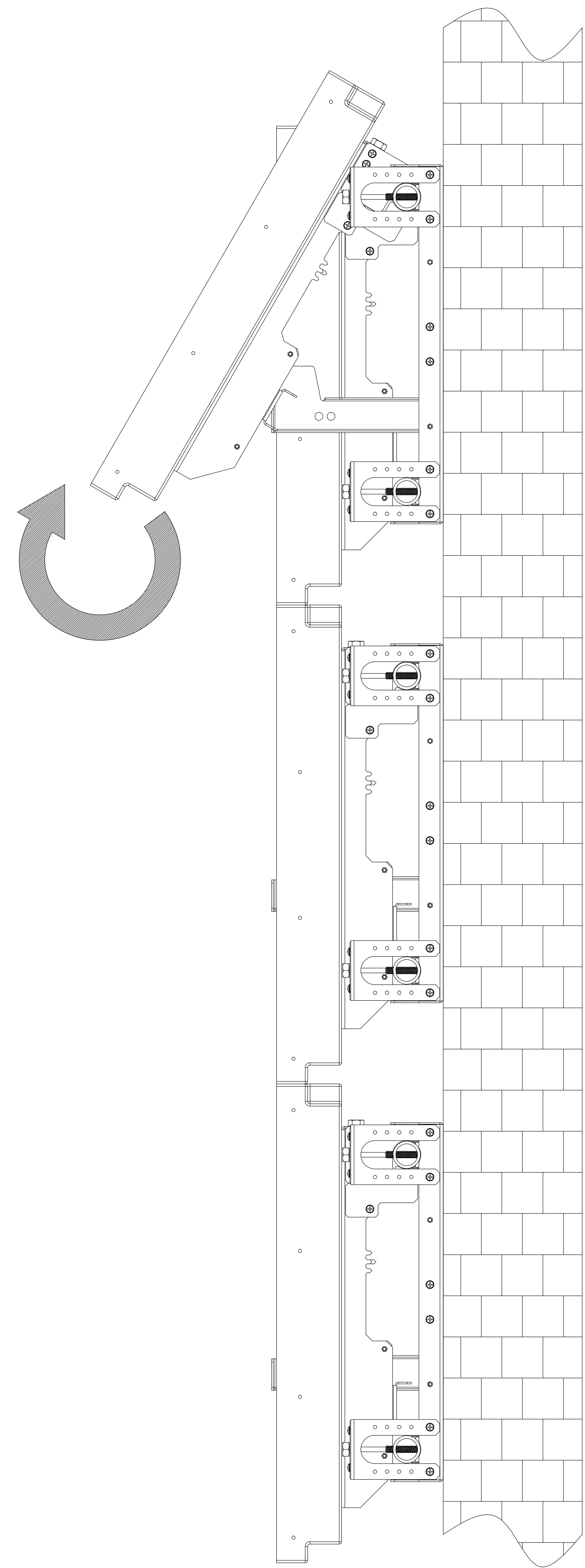


> ENTER MENU.

MENU > SETTINGS > OTHER SETTINGS > VIDEO WALL SETTINGS > ROW COUNT :3 (IF THERE ARE 3 ROW)
 > COLUMN COUNT :3 (IF THERE ARE 3 COLUMN)
 > CELL : (WICH SCREEN NUMBER)

MAINTENANCE

REMOVING SPECIFIED SCREEN FROM THE SYSTEM



IF PANEL 5 REMOVED FROM THE SYSTEM FOLLOW THE STEPS BELOW.

STEP 1 : 3. AND 6. PANEL MOVE TO RIGHT.

STEP 2 : 1. AND 4.PANEL MOVE TO LEFT.

STEP 3 : 2. PANEL MUST BE MAINTENANCE MODE.

STEP 4 : REMOVING SPECIFIED PANEL FROM THE SYSTEM

